

PARTS CATALOG

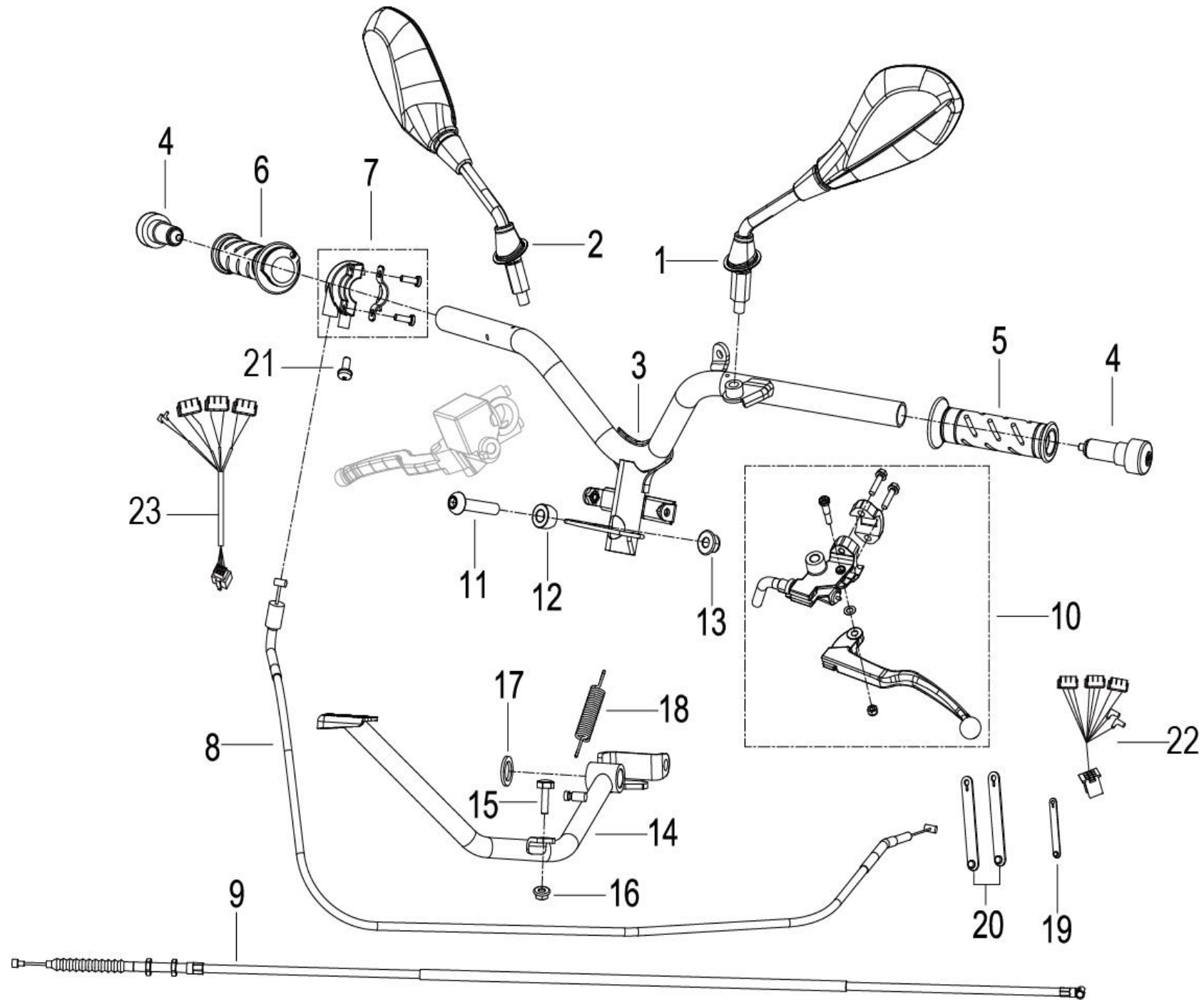
Benelli

**IN THE
BLINK OF
AN EYE**

R18i

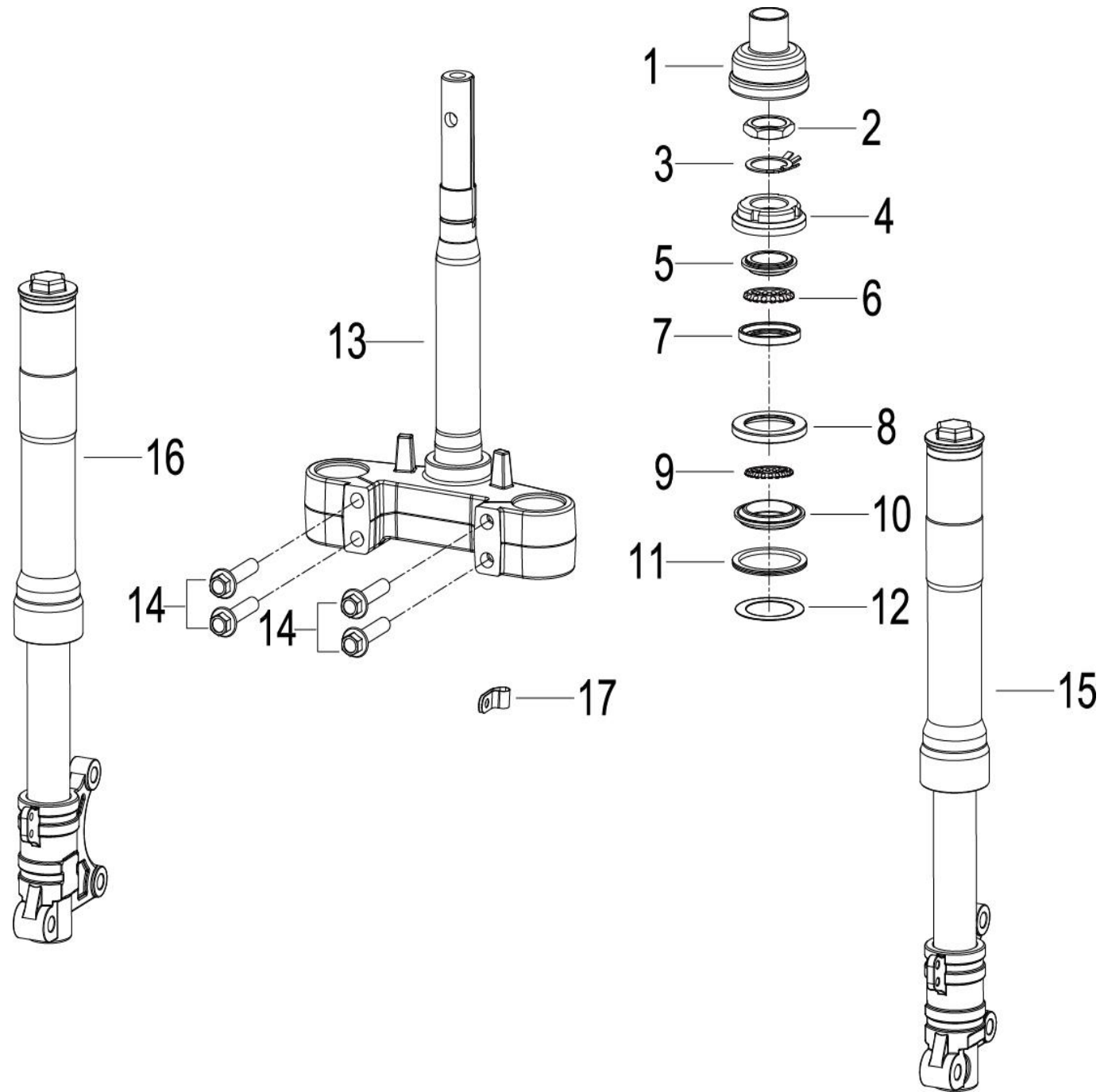


F01 CONTROL ASSY.



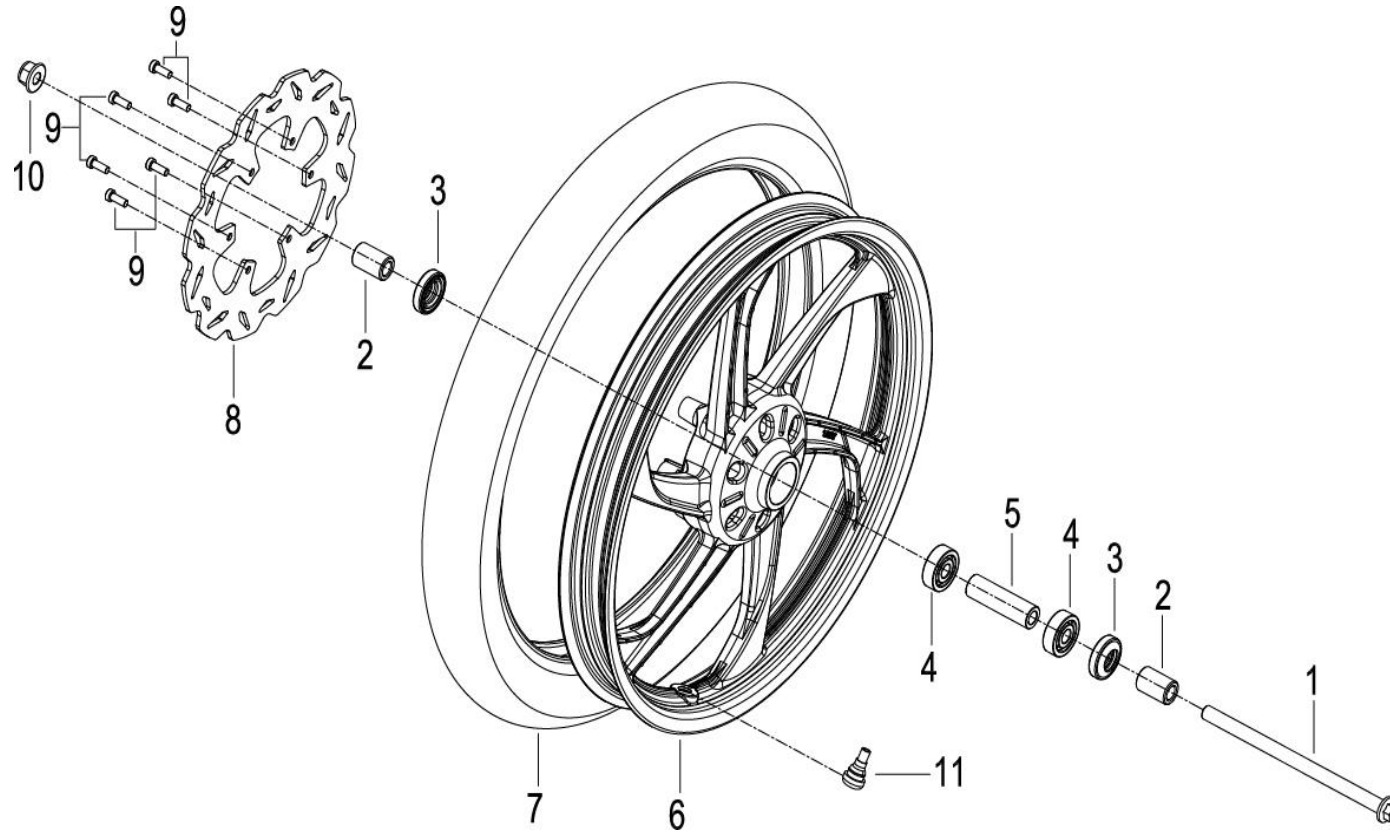
POSITION NO.	CODE	EN DESCRIPTION	QTY/UNIT	PRICE	REMARKS
F01-01	40450M510000	LEFT REAR VIEW MIRROR ASSY	1		
F01-02	40480M510000	RIGHT REAR VIEW MIRROR ASSY	1		
F01-03	40100V030000	HANDLE BAR ASSY	1		
F01-04	40030H170000	BALANCER	2		
F01-05	40001V030000	LEFT HANDLEBAR GRIP	1		
F01-06	40210V030000	RIGHT HANDLEBAR GRIP	1		
F01-07	40320T430007	THROTTLE CABLE HOUSING	1		
F01-08	40300V030100	THROTTLE CABLE ASSY	1		
F01-09	40400V030100	CLUTCH CABLE ASSY	1		
F01-10	40080J040006	CLUTCH LEVER ASSY	1		
F01-11	40131G510100	BOLT	1		
F01-12	40031T030100	PRESS BLOCK	1		
F01-13	B0417101254H	SELF-LOCKING NUT M10×1.25	1		
F01-14	40710V030000	REAR BRAKE PEDAL ASSY	1		
F01-15	40780J860100	BRAKE PEDAL BOLT M6×23	1		
F01-16	B0407060005H	NUT M6	2		
F01-17	08025J000000	WASHER φ17.5×φ26×2.5	1		
F01-18	40702K670200	REAR BRAKE RETURN SPRING	1		
F01-19	49371T620000	CLIP,RUBBER	1		
F01-20	40023P250000	CLIP,RUBBER	2		
F01-21	B1301050100H	SCREW W/WASHER M5×10	1		
F01-22	40530V030000	LEFT HANDLE SWITCH CABLE	1		
F01-23	40630V030000	RIGHT HANDLE SWITCH CABLE	1		

F02 FRONT FORK ASSY.



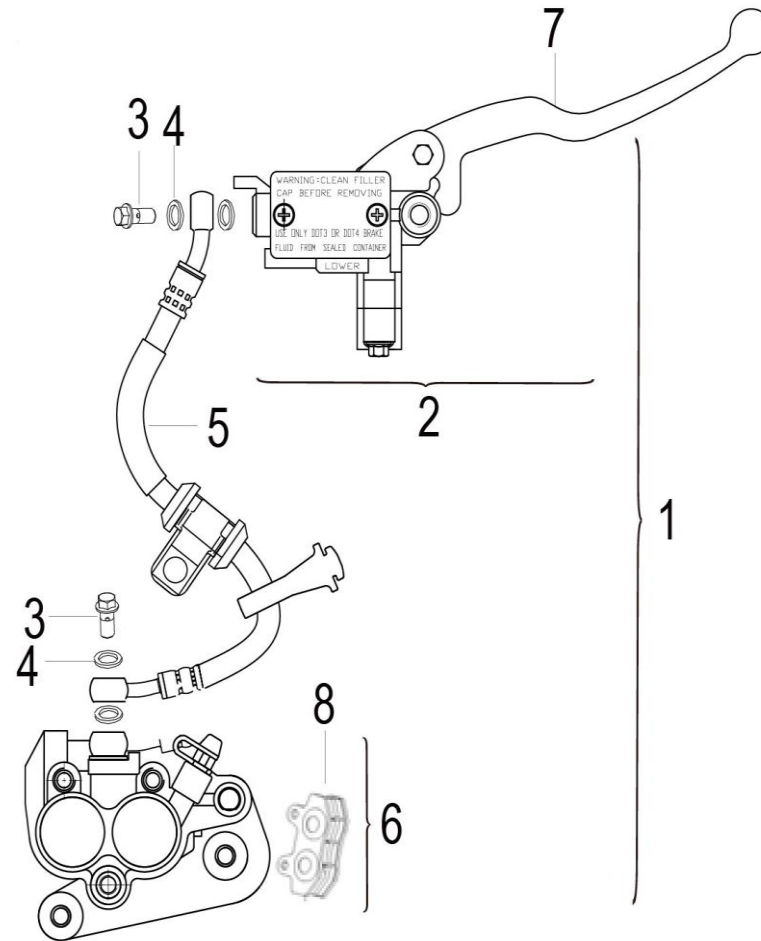
POSITION NO.	CODE	EN DESCRIPTION	QTY/UNIT	PRICE	REMARKS
F02-01	43005T800000	DUSTPROOF COVER	1		
F02-02	43009G120020	NUT	1		
F02-03	43007T090000	WASHER	1		
F02-04	43008G120000	STEERING STEM NUT	1		
F02-05	43001H390000	RACE, STEERING OUTER, UPPER	1		
F02-06	43130L260000	UPPER STEEL BALL ASSY	1		
F02-07	43002H390000	RACE, STEERING INNER, UPPER	1		
F02-08	43003H390000	RACE, STEERING INNER, LOWER	1		
F02-09	43140L260000	LOWER STEEL BALL ASSY	1		
F02-10	43004H390000	RACE,STEERING OUTER, LOWER	1		
F02-11	43028G120000	DUST SEAL	1		
F02-12	43018G120100	WASHER	1		
F02-13	43100M510000	LOWER BRACKET ASSY	1		
F02-14	B0159100406H	BOLT M10x1.25x40	4		
F02-15	43200V030000	FRONT LEFT SHOCK ABSORBER ASSY.	1		
F02-16	43300V030000	FRONT RIGHT SHOCK ABSORBER ASSY.	1		
F02-17	43070J670010	CLUTCH CABLE CLAMP	2		

F03 FRONT WHEEL ASSY.



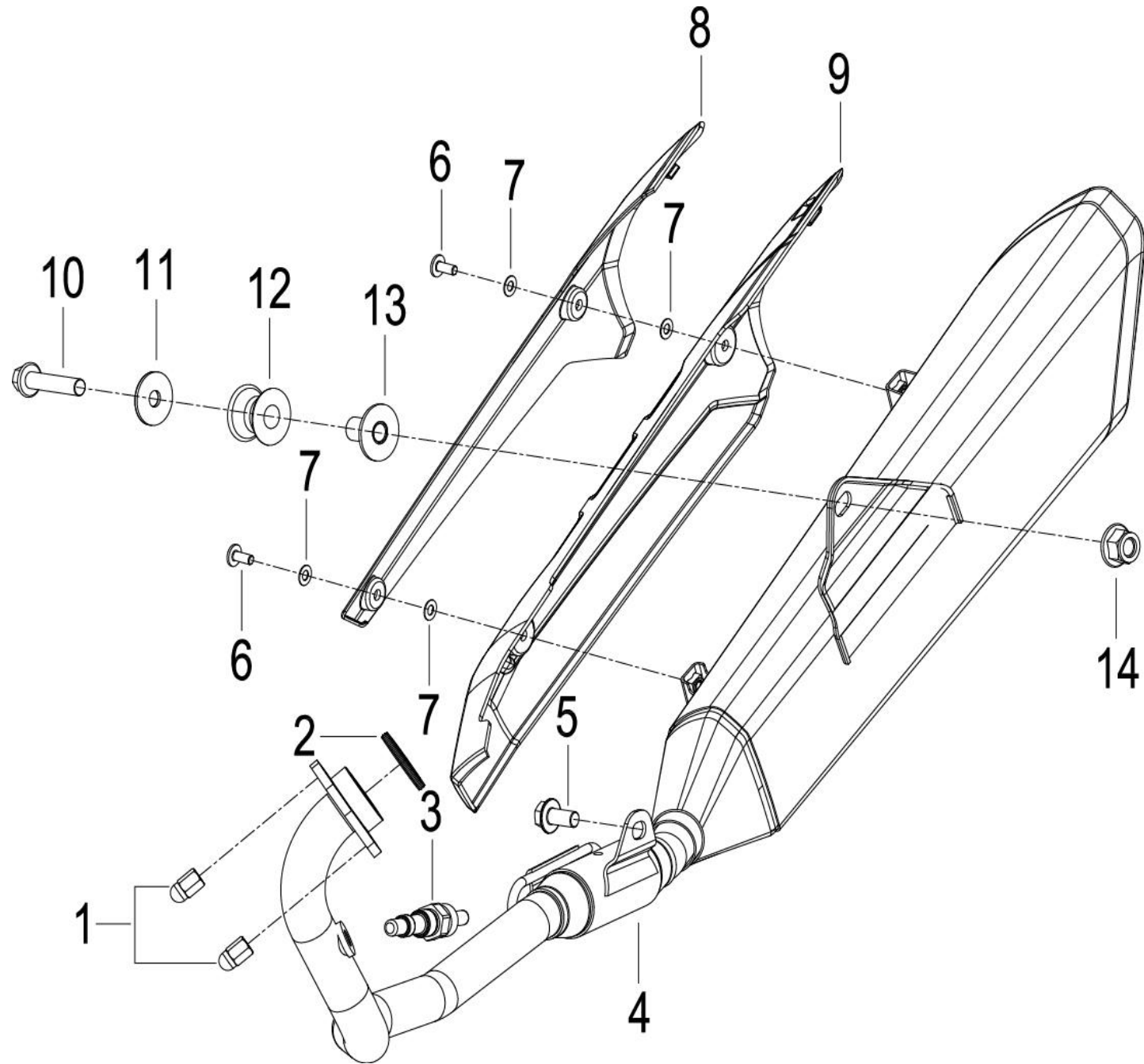
POSITION NO.	CODE	EN DESCRIPTION	QTY/UNIT	PRICE	REMARKS
F03-01	44004T620200	FRONT WHEEL SHAFT M12x1.25x217	1		
F03-02	44016V030100	FRONT WHEEL SHAFT SLEEVE $\Phi 12 \times \Phi 21 \times 32.3$	2		
F03-03	44300G120000	FRONT WHEEL OIL SEAL	2		
F03-04	B12016030100	BEARING 6301-2RS	2		
F03-05	44006M510000	MID BUSH,FRONT WHEEL	1		
F03-06	44101M51B1F9	RIM, FRONT WHEEL,BLACK/RED	1		
F03-06	44101M51U600	RIM, FRONT WHEEL,GREEN U6	1		
F03-08	45033T800000	FRONT BRAKE DISC	1		
F03-09	B0282060208H	SCREW M6x20	6		
F03-10	B0417121254H	SELF-LOCKING NUT M12x1.25	1		
F03-11	B1403Z201100	AIR VALVE/RIM VALVE	1		

F04 FRONT DISK BRAKE



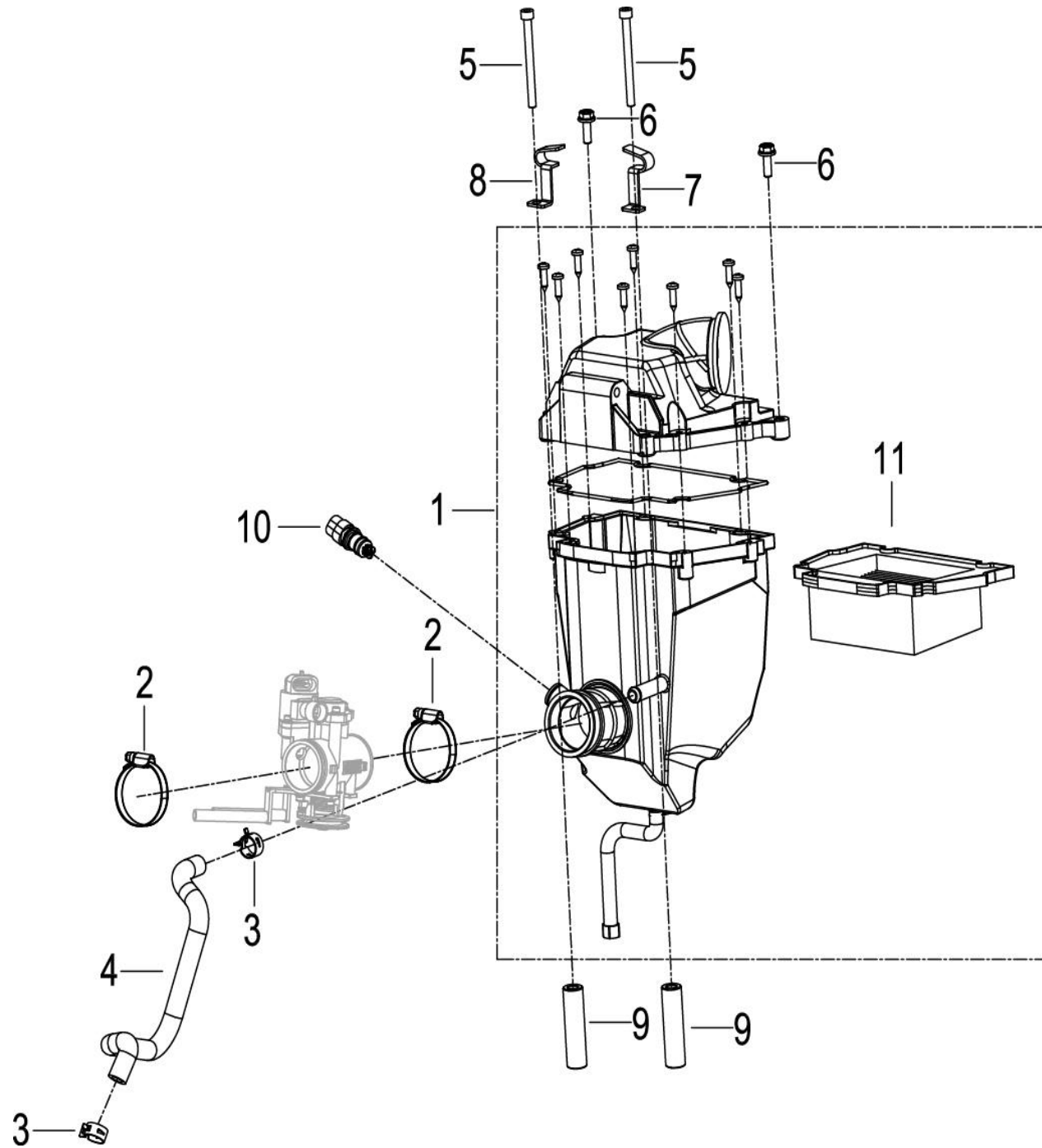
POSITION NO.	CODE	EN DESCRIPTION	QTY/UNIT	PRICE	REMARKS
F04-01	45900V03DB20	FRONT BRAKE ASSY.GOLDEN	1		
F04-02	45400N210000	FRONT MASTER CYLINDER ASSY	1		
F04-03	55037J410000	HEX FLANGE BOLT	2		
F04-04	55180J000000	WASHER	4		
F04-05	45200V030000	FRONT BRAKE HOSE	1		
F04-06	45500V03MB00	FRONT BRAKE CALIPER,IN GOLDEN	1		
F04-07	45022J020001	FRONT BRAKE LEVER	1		
F04-08	45120U060000	FRONT BRAKE PADS.THICKNESS:7MM	1		2PCS/SET

F05 MUFFLER ASSY.



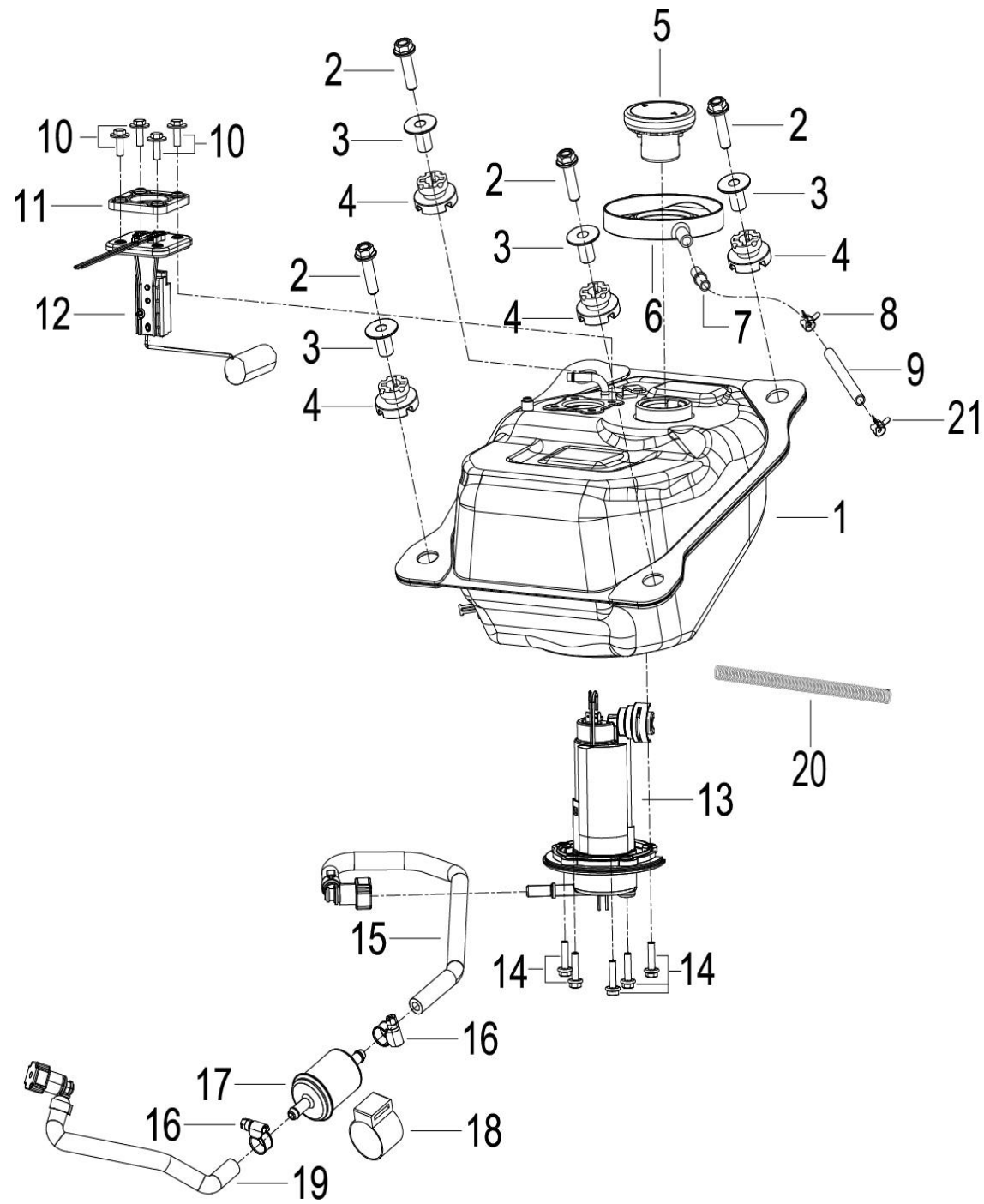
POSITION NO.	CODE	EN DESCRIPTION	QTY/UNIT	PRICE	REMARKS
F05-01	08051N030100	NUT M8	2		
F05-02	47800P250000	EXHAUST PIPE GASKET ASSY	1		
F05-03	31902V020000	OXYGEN SENSOR	1		
F05-04	47100M510021	MUFFLER ASSY	1		
F05-05	B0159100206H	BOLT M10x1.25x20	1		
F05-06	B0283060146H	SCREW M6x14	2		
F05-07	08022N050000	HEAT INSULATION WASHER	4		
F05-08	47023M62C800	GUARD BOARD,MUFFLER I	1		
F05-09	47024M620000	GUARD BOARD,MUFFLER II	1		
F05-10	B0159100456H	BOLT M10x1.25x45	1		
F05-11	43044K230000	WASHER	1		
F05-12	47028H390000	MUFFLER RUBBER BUSH	1		
F05-13	47040H390100	MUFFLER RUBBER CUSHION	1		
F05-14	B0417101254H	SELF-LOCKING NUT M10x1.25	1		

F06 AIR CLEANER ASSY.



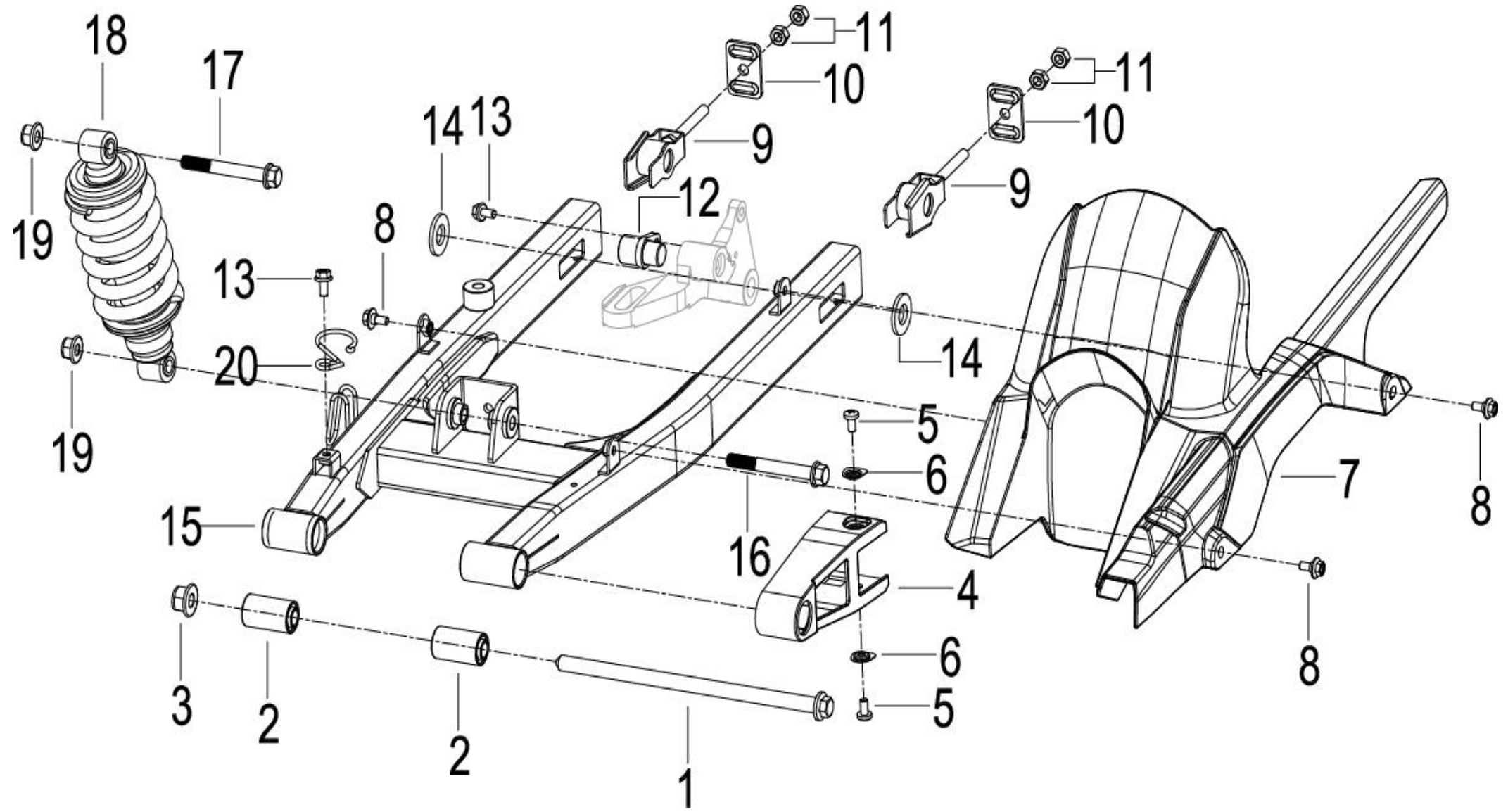
POSITION NO.	CODE	EN DESCRIPTION	QTY/UNIT	PRICE	REMARKS
F06-01	49100M510000	AIR CLEANER	1		
F06-02	49016N070000	STAINLESS CLAMP 50	2		
F06-03	49855J000000	CLAMP Φ 16.5×10×1	2		
F06-04	49025M510000	EXHAUST GAS RECIRCULATION TUBE	1		
F06-05	B0205060956H	SCREW M6×95	2		
F06-06	B0109060306H	BOLT M6×30	2		
F06-07	51011L260000	LEFT HELMET HOOK	1		
F06-08	51022L260000	RIGHT HELMET HOOK	1		
F06-09	49004V030000	BUSH	2		
F06-10	310015040000	TEMPERATURE SENSOR	1		
F06-11	49200M510000	AIR CLEANER FILTER ASSY	1		

F07 FUEL TANK



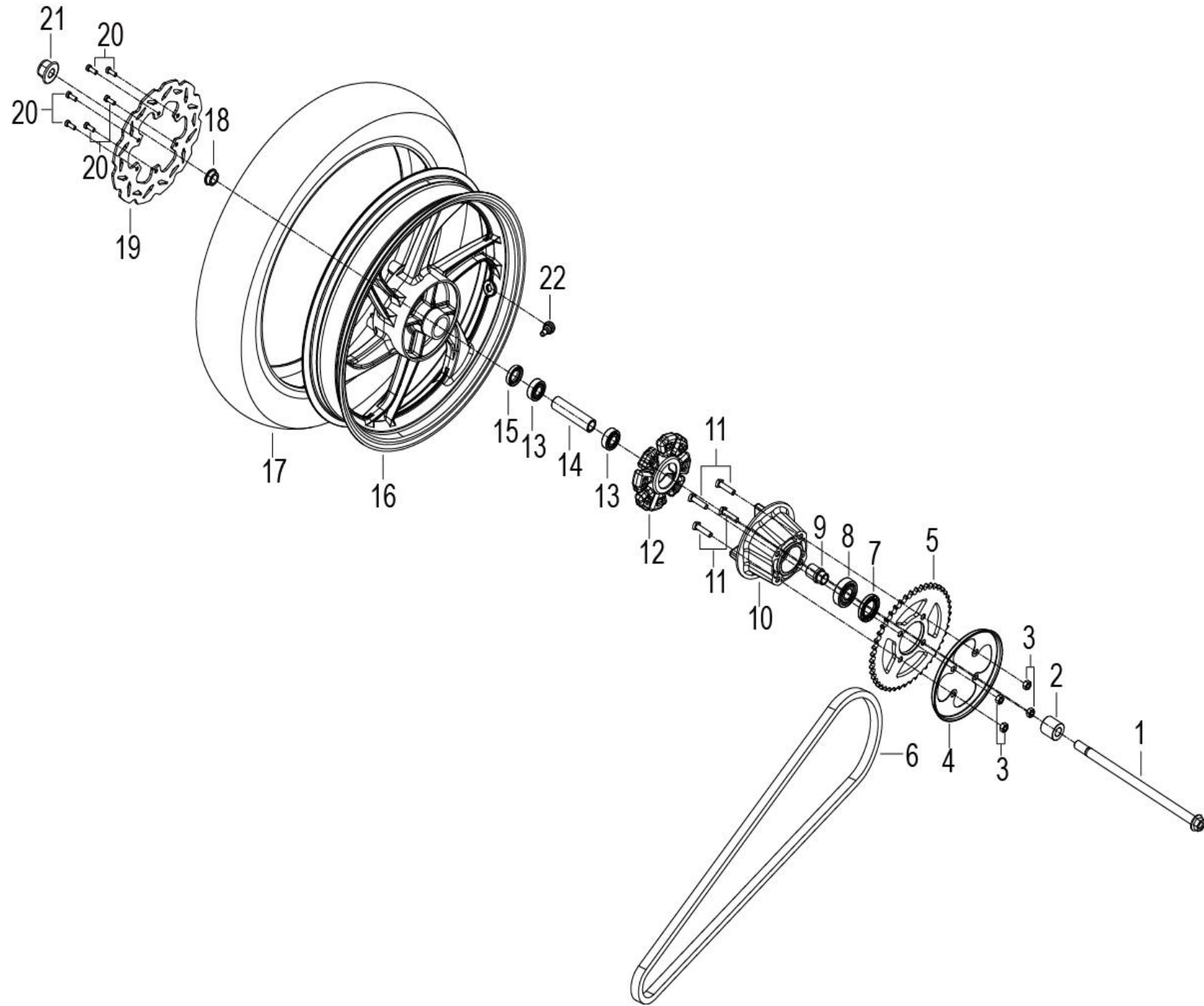
POSITION NO.	CODE	EN DESCRIPTION	QTY/UNIT	PRICE	REMARKS
F07-01	50100V030001	FUEL TANK	1		
F07-02	B0206060352H	SCREW M6x35	4		
F07-03	50014J410100	T BUSH	4		
F07-04	50018V030000	FUEL TANK BUFFER RUBBER	4		
F07-05	50200H290100	FUEL TANK CAP ASSY	1		
F07-06	50011V030000	LEAKING MAT	1		
F07-07	64008G220000	PIPE	1		
F07-08	B17010100003	CLIP φ10	1		
F07-09	B16010724001	OIL TUBE Φ11×7×400	1		
F07-10	08016B920200	SCREW M5x14	4		
F07-11	50004B910000	FUEL SENSOR RUBBER MAT	1		
F07-12	50800V030000	FUEL SENSOR ASSY.	1		
F07-13	50400V020010	FUEL PUMP ASSY	1		
F07-14	B0109050206H	BOLT M5x20	5		
F07-15	50370V030001	FUEL PIPE ASSY.	1		
F07-16	50307J690000	CLAMP 14.5-706R	2		
F07-17	50340N100001	FUEL FILTER	1		
F07-18	50391N070010	FUEL FILTER JACKET	1		
F07-19	50380V030001	FUEL PIPE ASSY.II	1		
F07-20	08354B920000	SPRING	1		
F07-21	B17010090003	CLIP φ9	1		

F08 REAR SWING ARM ASSY



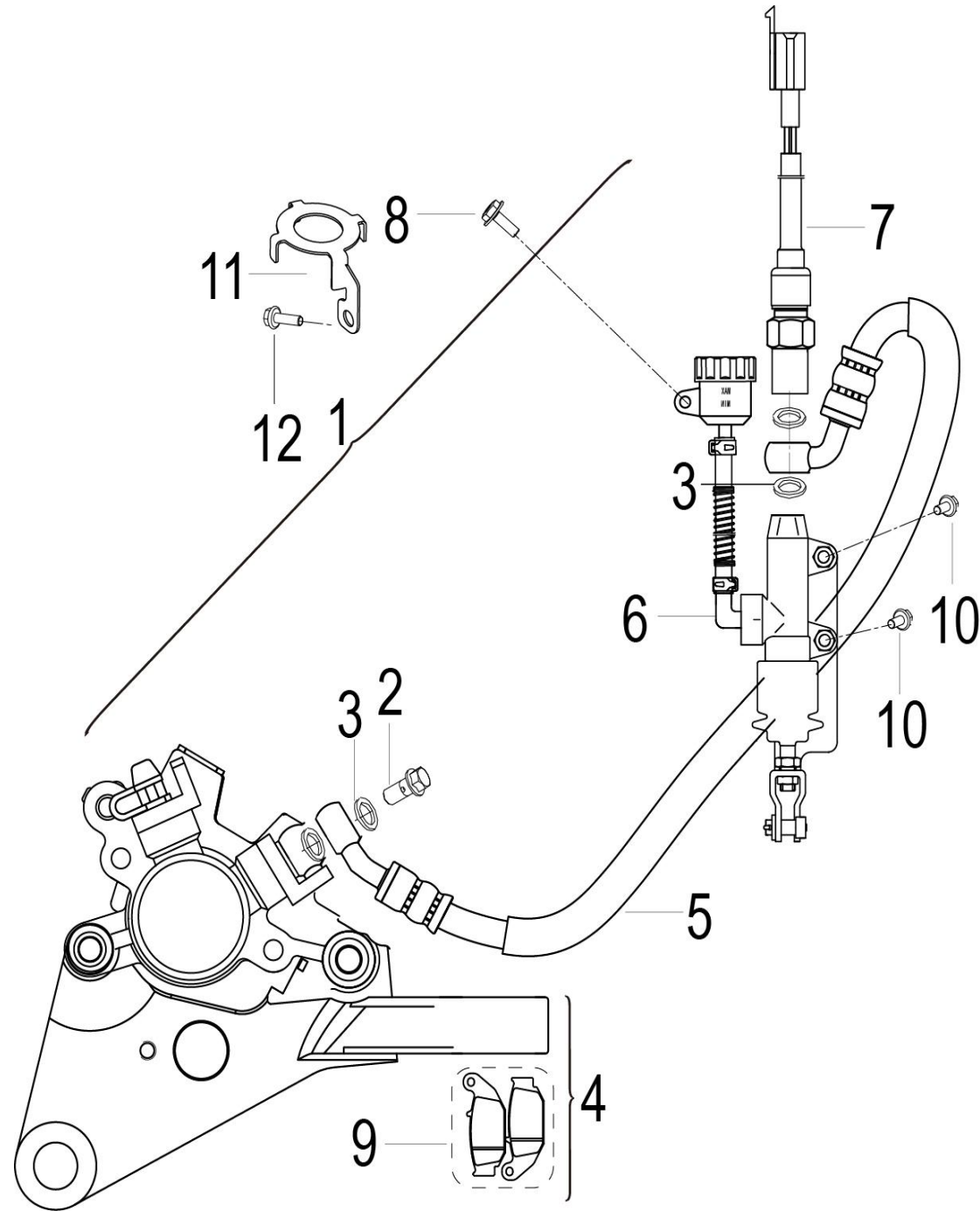
POSITION NO.	CODE	EN DESCRIPTION	QTY/UNIT	PRICE	REMARKS
F08-01	58309V030100	ENGINE MOUNTING SHAFT M12x1.25x236	1		
F08-02	53200J040000	REAR SWING ARM SHAFT SLEEVE ASSY	2		
F08-03	B0417121254H	SELF-LOCKING NUT M12x1.25	1		
F08-04	53004V030000	CHAIN SHIELD BLOCK	1		
F08-05	B0200060122H	SCREW M6x12	2		
F08-06	53018J800200	SPACER	2		
F08-07	60101V030000	DRIVE CHAIN COVER	1		
F08-08	08011H010200	BOLT M6x14	3		
F08-09	53230N030200	CHAIN TENSION ADJUSTER ASSEMBLY	1		
F08-10	53234V030100	CHAIN TENSION ADJUSTER RETAINER	1		
F08-11	B0400080005H	NUT M8	4		
F08-12	94010V030001	SPEED SENSOR	1		
F08-13	B0109060126H	BOLT M6x12	1		
F08-14	08021K670100	WASHER ϕ 16x ϕ 32x2	2		
F08-15	53100V030001	REAR SWING ARM ASSY	1		
F08-16	08012V030000	BOLT M10x77	1		
F08-17	08013V030000	BOLT M10x67	1		
F08-18	63800V031000	REAR SHOCK ABSORBER ASSY (KYB)	1		
F08-19	B0417101254H	SELF-LOCKING NUT M10x1.25	2		
F08-20	40022L210000	WIRE CLIP	1		

F09 REAR WHEEL ASSY.



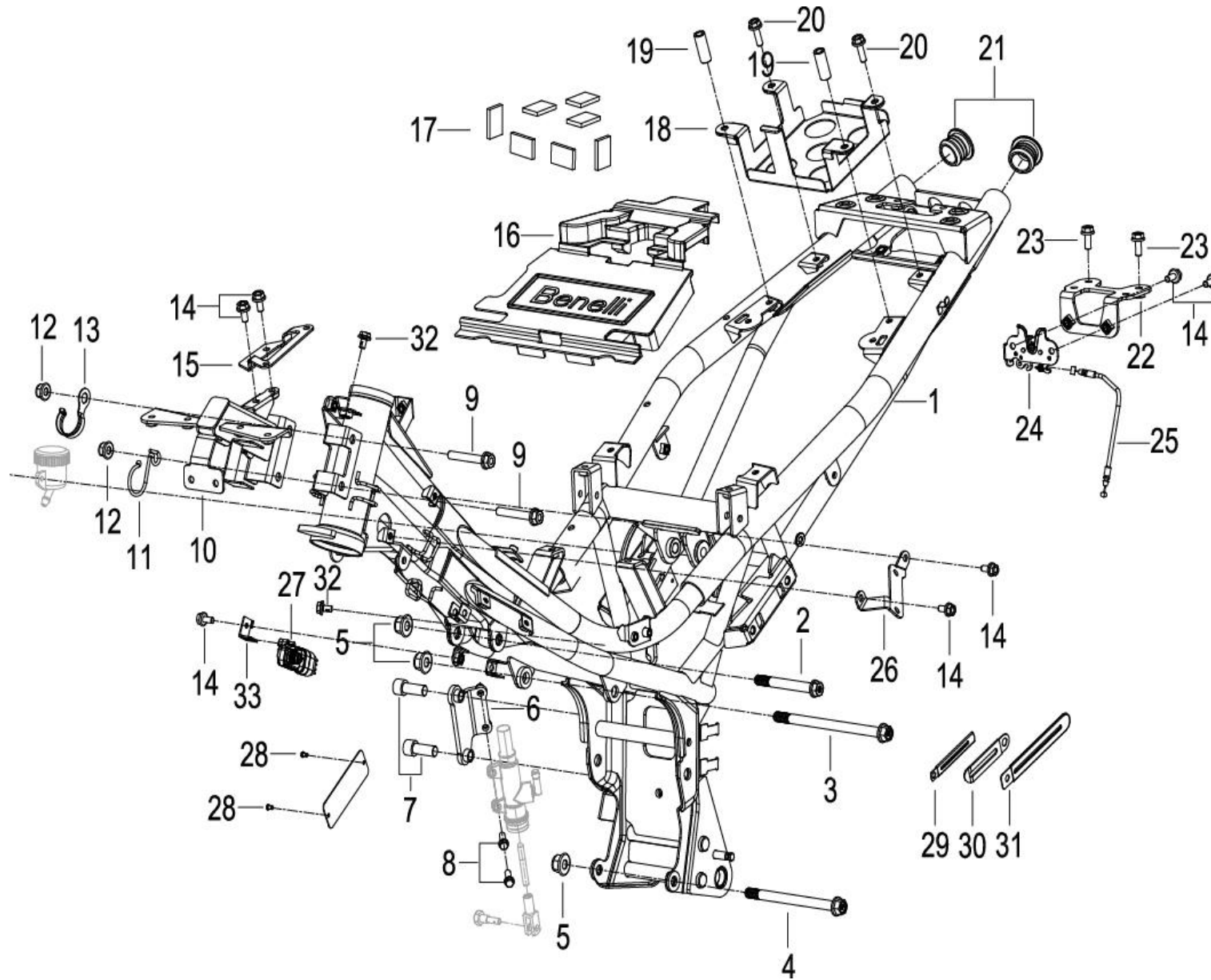
POSITION NO.	CODE	EN DESCRIPTION	QTY/UNIT	PRICE	REMARKS
F09-01	54004J670200	AXLE, REAR WHEEL M14×1.5×292	1		
F09-02	54016V030100	REAR WHEEL LEFT SPACER	1		
F09-03	B0400080005H	NUT M8	4		
F09-04	60028L260000	WATERPROOF RING	1		
F09-05	60002J040003	SPROCKET 46 TEETH	1		
F09-06	B1502S1124B0	CHAIN 428HO-1×124	1		
F09-07	60200J410000	DUST SEAL ASSY	1		
F09-08	B12016020400	BALL BEARING 6204-2RS	1		
F09-09	60006J000001	BUSH,CHAIN COLLAR	1		
F09-10	60001V030000	REAR WHEEL DRIVE HUB	1		
F09-11	B0112080356H	BOLT M8×35	4		
F09-12	54024V030000	REAR WHEEL DRIVE HUB DAMPER	1		
F09-13	B12016020200	BALL BEARING 6202-2RS	2		
F09-14	54006V030000	REAR WHEEL SPACER	1		
F09-15	44300B910000	FRONT WHEEL OIL SEAL ASSY	1		
F09-16	54101V03B1F9	REAR RIM,BLACK/RED	1		
F09-16	54101V03U600	REAR RIM,GREEN U6	1		
F09-18	54005V030100	REAR WHEEL RIGHT COLLAR $\Phi 15 \times \Phi 22.5 \times 9.8$	1		
F09-19	55033T800000	REAR DISK BRAKE	1		
F09-20	B0282060208H	SCREW M6×20	6		
F09-21	B0417141504H	SELF-LOCKING NUT M14×1.5	1		
F09-22	B1403Z201100	AIR VALVE/RIM VALVE	1		

F10 REAR DISK BRAKE



POSITION NO.	CODE	EN DESCRIPTION	QTY/UNIT	PRICE	REMARKS
F10-01	55900V03DB81	REAR BRAKE ASSY,GOLDEN	1		
F10-02	55037J410000	HEX FLANGE BOLT	1		
F10-03	55180J410000	WASHER	4		
F10-04	55500V03MB00	REAR BRAKE CALIPER,GOLDEN	1		
F10-05	55200V030000	REAR BRAKE HOSE	1		
F10-06	55400V030100	REAR MASTER CYLINDER ASSY	1		
F10-07	55300J410000	REAR BRAKE SWITCH	1		
F10-08	08016B920200	SCREW M5×14	1		
F10-09	55110V020000	REAR BRAKE PADS	1		
F10-10	B0109060166H	BOLT M6×16	2		
F10-11	57041V030001	TAMPER BRACKET	1		
F10-12	B0109050166H	BOLT M5×16	1		

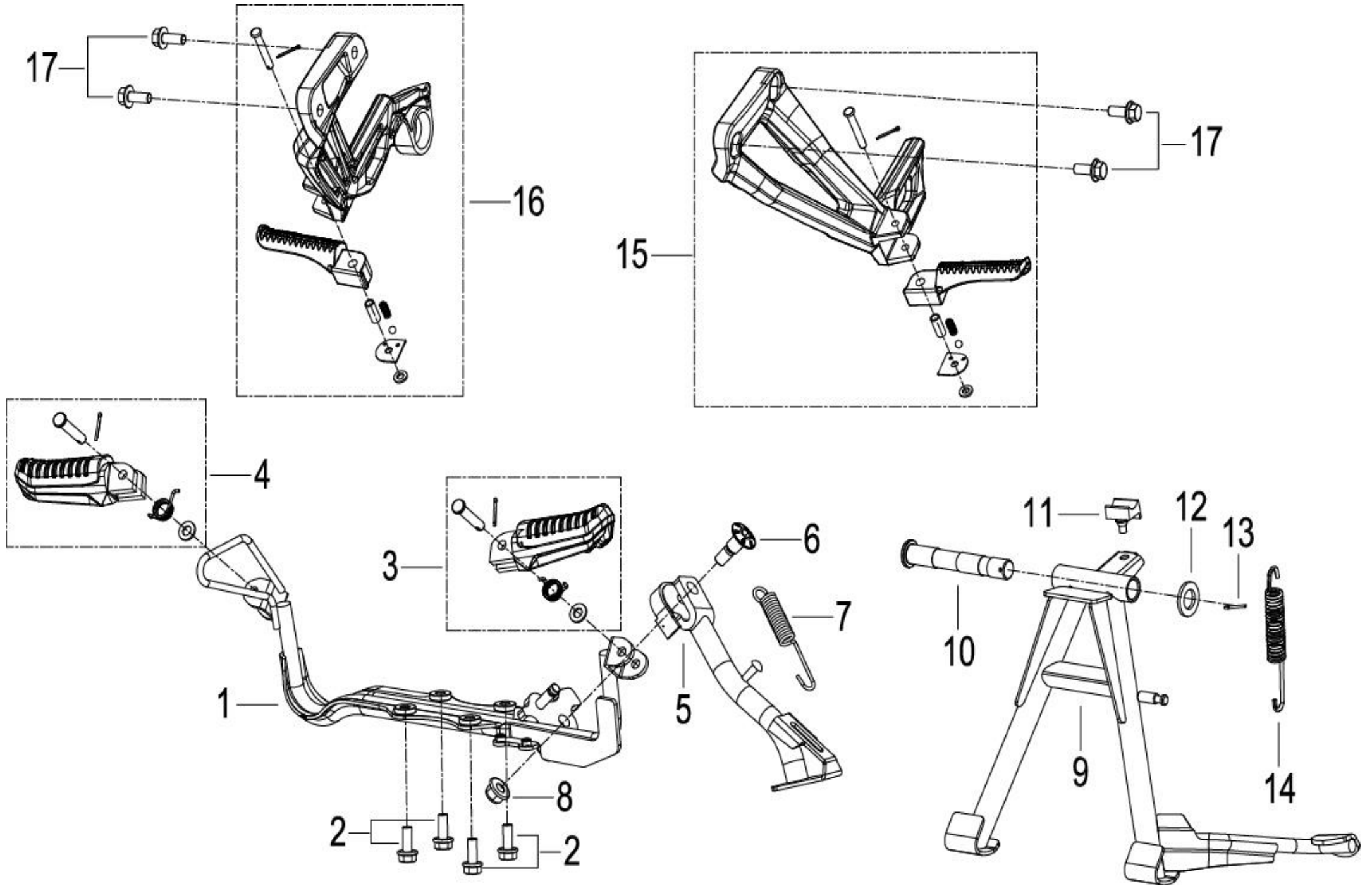
F11 FRAME BODY



POSITION NO.	CODE	EN DESCRIPTION	QTY/UNIT	PRICE	REMARKS
F11-02	58303V030100	ENGINE MOUNTING SHAFT,UPPER M10x1.25x79.5	1		
F11-03	58305V030100	ENGINE MOUNTING SHAFT,MIDDLE M10x1.25x148.5	1		
F11-04	58306V030100	ENGINE MOUNTING SHAFT,UNDER M10x124	1		

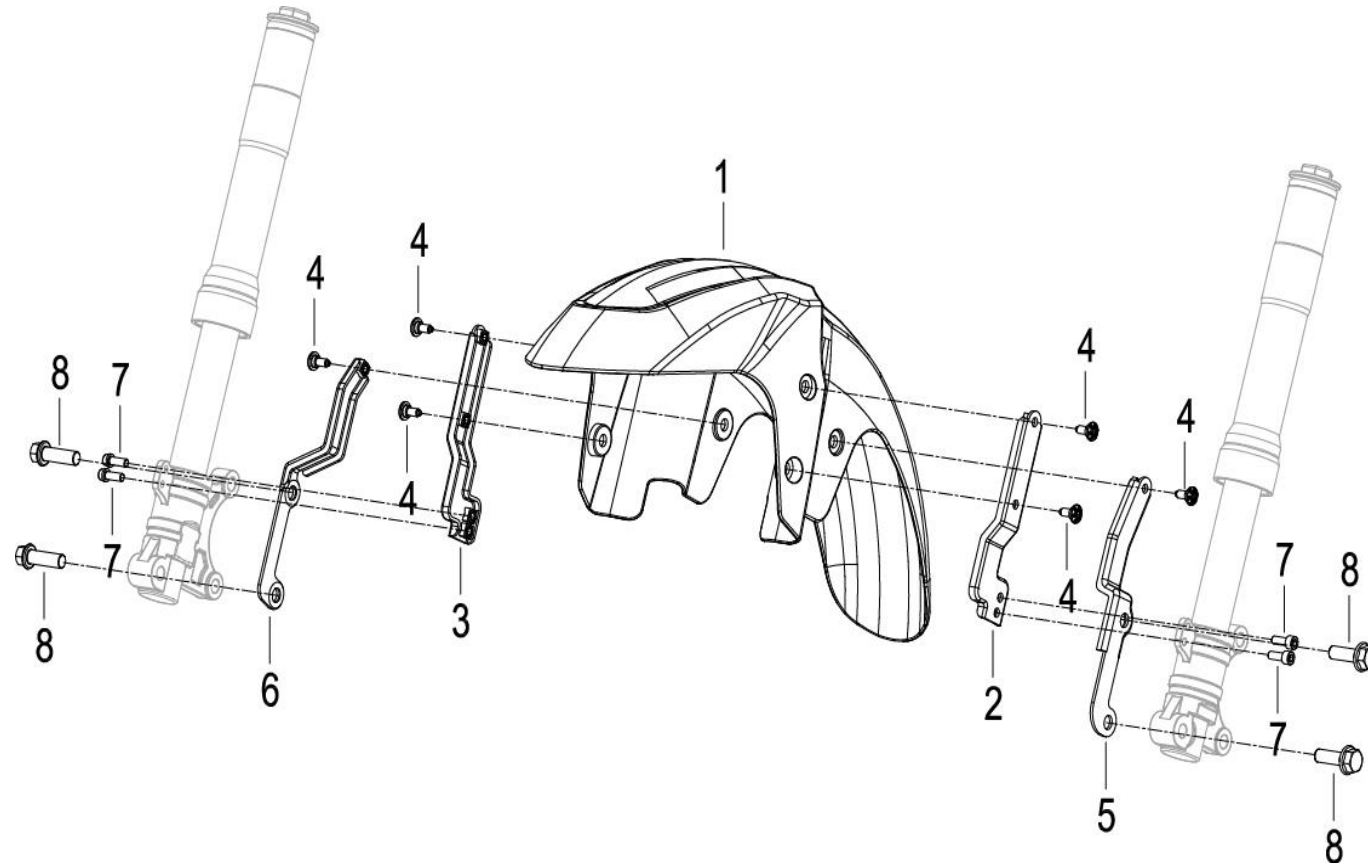
POSITION NO.	CODE	EN DESCRIPTION	QTY/UNIT	PRICE	REMARKS
F11-05	B0417101254H	SELF-LOCKING NUT M10x1.25	3		
F11-06	59720V030000	OIL PUMP FIXING BOARD	1		
F11-07	B0205080256H	SCREW M8x25	2		
F11-08	B0107060206H	BOLT M6x20	2		
F11-09	B0109080486H	BOLT M8x48	2		
F11-10	59400M510001	FRONT FACE PLATE FIXING BRACKET ASSY	1		
F11-11	40022L210000	WIRE CLIP	1		
F11-12	B0417080004H	LOCK NUT M8	2		
F11-13	43057J000070	CLIP	1		
F11-14	B0109060126H	BOLT M6x12	7		
F11-15	58010M510000	ECU FIXING PLATE	1		
F11-16	50012V030000	RUBBER MAT	1		
F11-17	58752P250000	BATTERY SPONGE CUSHION	7		
F11-18	58750V030000	BATTERY FIXING BRACKET ASSY	1		
F11-19	58753V030000	BUSH $\Phi 7 \times \Phi 12 \times 32$	2		
F11-20	B0109060206H	BOLT M6x20	2		
F11-21	57015N100000	PLUG FRAME	2		
F11-22	58070V030000	SEAT LOCK FIXING SEAT	1		
F11-23	B0109060166H	BOLT M6x16	2		
F11-24	58800T800100	SAET LOCK BRACKET ASSY	1		
F11-25	40680V030100	SEAT LOCK CABLE ASSY	1		
F11-26	57590M510000	REGULATOR FIXING PLATE	1		
F11-27	280106220000	INTAKE AIR PRESSURE SENSOR	1		
F11-28	B100432007P0	REVIT 3.2x7	2		
F11-29	58430J000000	WIRE CLIP	8		
F11-30	58430J670000	CLIP	1		
F11-31	08430P250000	CLIP ASSY	1		
F11-32	08013P100000	BOLT M6x16	2		
F11-33	57041M510000	TEMPERATURE SENSOR MOUNTING PLATE	1		

F12 PEDAL ASSY.



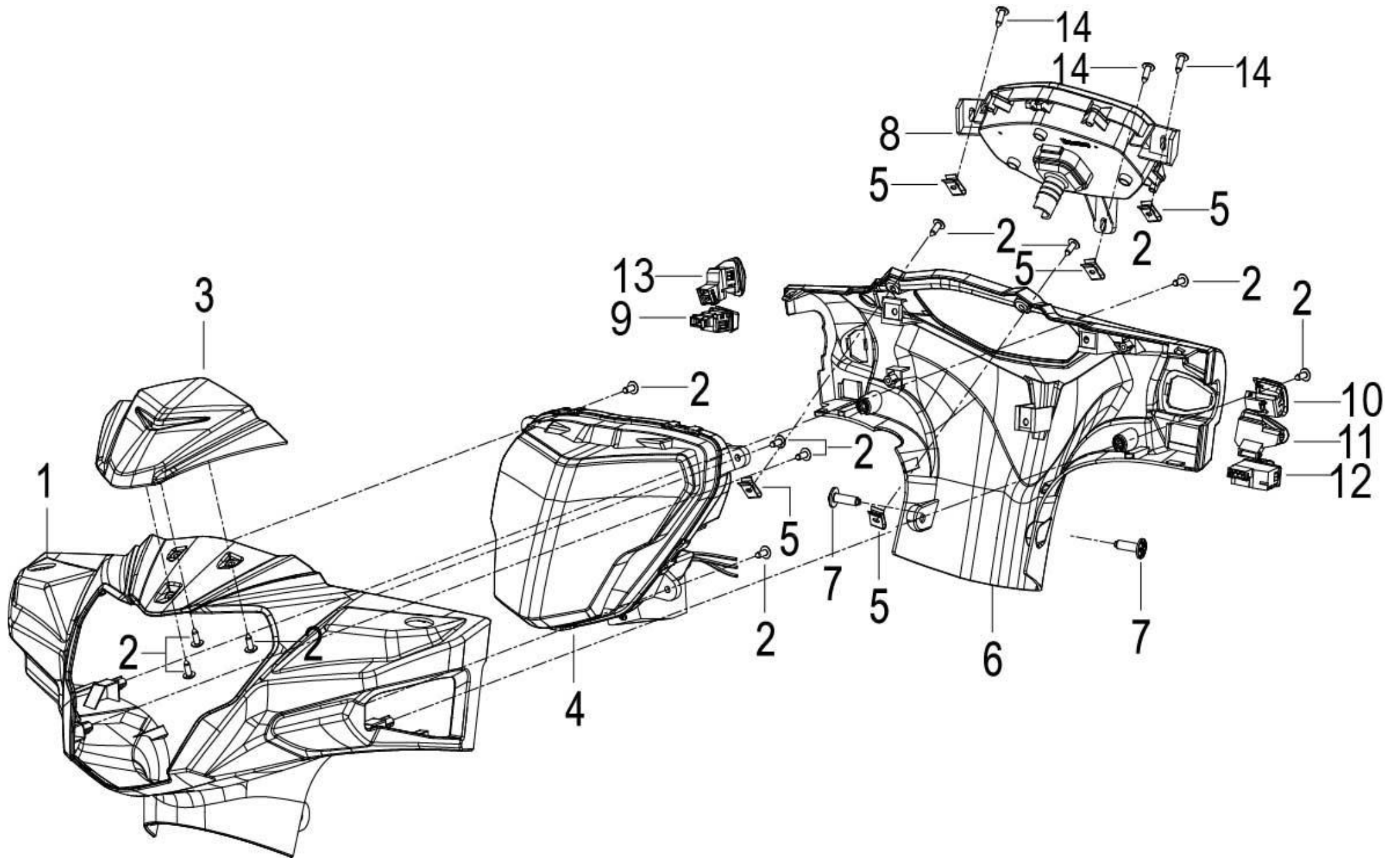
POSITION NO.	CODE	EN DESCRIPTION	QTY/UNIT	PRICE	REMARKS
F12-01	58610V030000	FOOTREST ROD ASSY	1		
F12-02	B0109080166H	BOLT M8x16	4		
F12-03	58220V30002Z	LEFT FRONT FOOTREST ASSY	1		
F12-04	58240V30002Z	RIGHT FRONT FOOTREST ASSY	1		
F12-05	58700V030100	SIDE STAND ASSY.	1		
F12-06	57005V030100	BOLT M10x1.25x33	1		
F12-07	57003J040010	SIDE STAND SPRING	1		
F12-08	B0417101254H	SELF-LOCKING NUT M10x1.25	1		
F12-09	58520V030001	MIDDLE STAND ASSY	1		
F12-10	58501V030100	MIDDLE STAND SHAFT	1		
F12-11	58507J040000	BUFFER BLOCK	1		
F12-12	08021K100100	WASHER 16x24x2	1		
F12-13	B090003025AH	COTTER PIN 3x25	1		
F12-14	57003T090202	SIDE STAND SPRING	1		
F12-15	58260V030000	LEFT REAR FOOTREST ASSY,SILVER	1		
F12-15	58260V03U600	LEFT REAR FOOTREST ASSY,GREEN U6	1		
F12-16	58280V030000	RIGHT REAR FOOTREST ASSY,SILVER	1		
F12-16	58280V03U600	RIGHT REAR FOOTREST ASSY,GREEN U6	1		
F12-17	B0107080206H	BOLT M8x20	4		

F13 FRONT FENDER



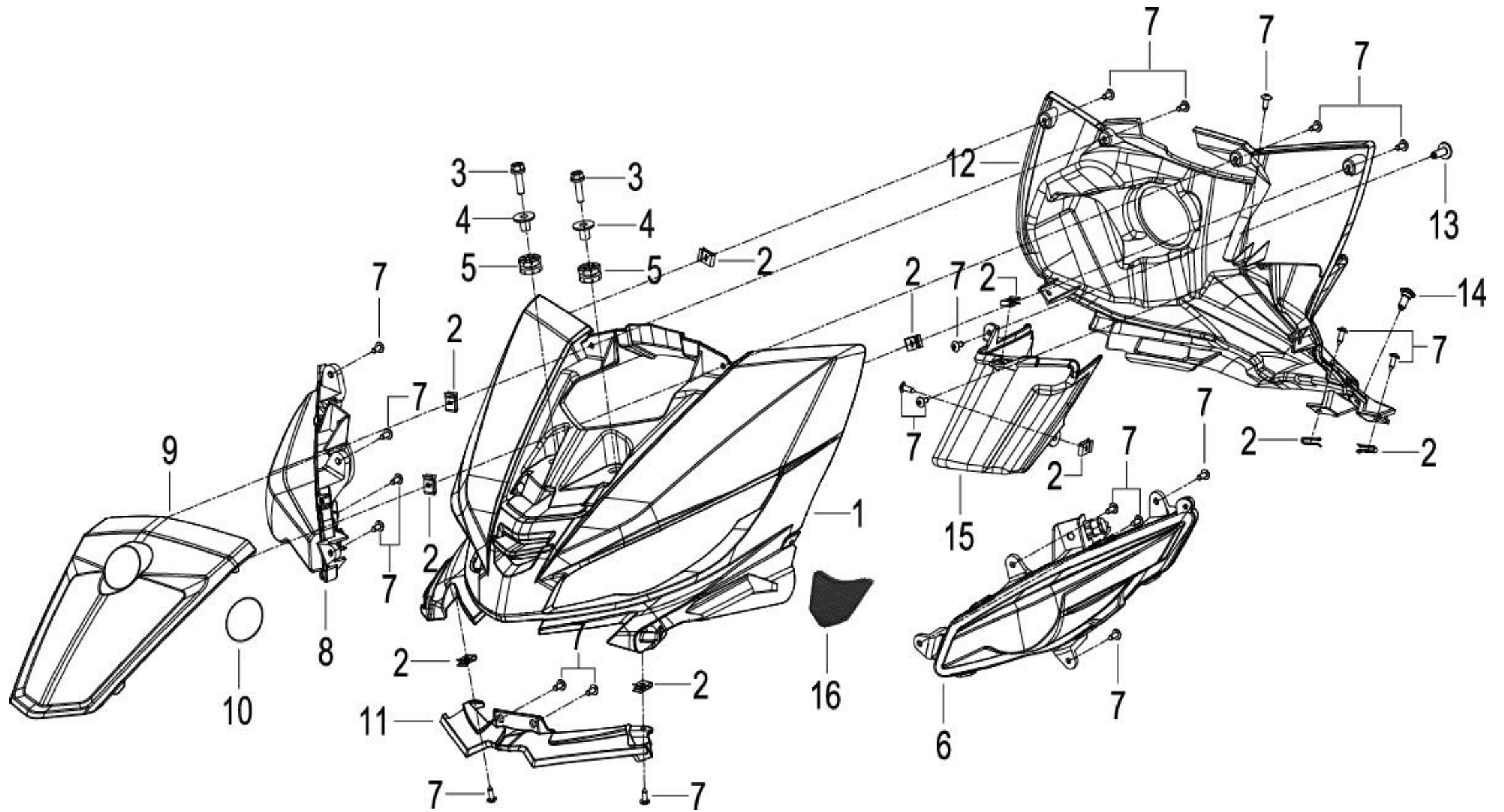
POSITION NO.	CODE	EN DESCRIPTION	QTY/UNIT	PRICE	REMARKS
F13-01	65101M51001Z	FRONT FENDER,BLACK B1,WITH STICKER	1		
F13-01	65101M51002Z	FRONT FENDER,RED F9,WITH STICKER	1		
F13-01	65101M51003Z	FRONT FENDER,BLUE E6,WITH STICKER	1		
F13-02	65140V030000	FRONT LEFT BRACKET,FRONT FENDER	1		
F13-03	65130V030000	FRONT RIGHT BRACKET,FRONT FENDER	1		
F13-04	B0284060150A	SCREW M6x15.2	6		
F13-05	65150V030000	REAR LEFT BRACKET,FRONT FENDER	4		
F13-06	65160V030000	REAR RIGHT BRACKET,FRONT FENDER	2		
F13-07	08001K670000	SCREW M6x16	4		
F13-08	B0159100306H	BOLT M10x1.25x30	4		

F14 HANDLE COVER ASSY.



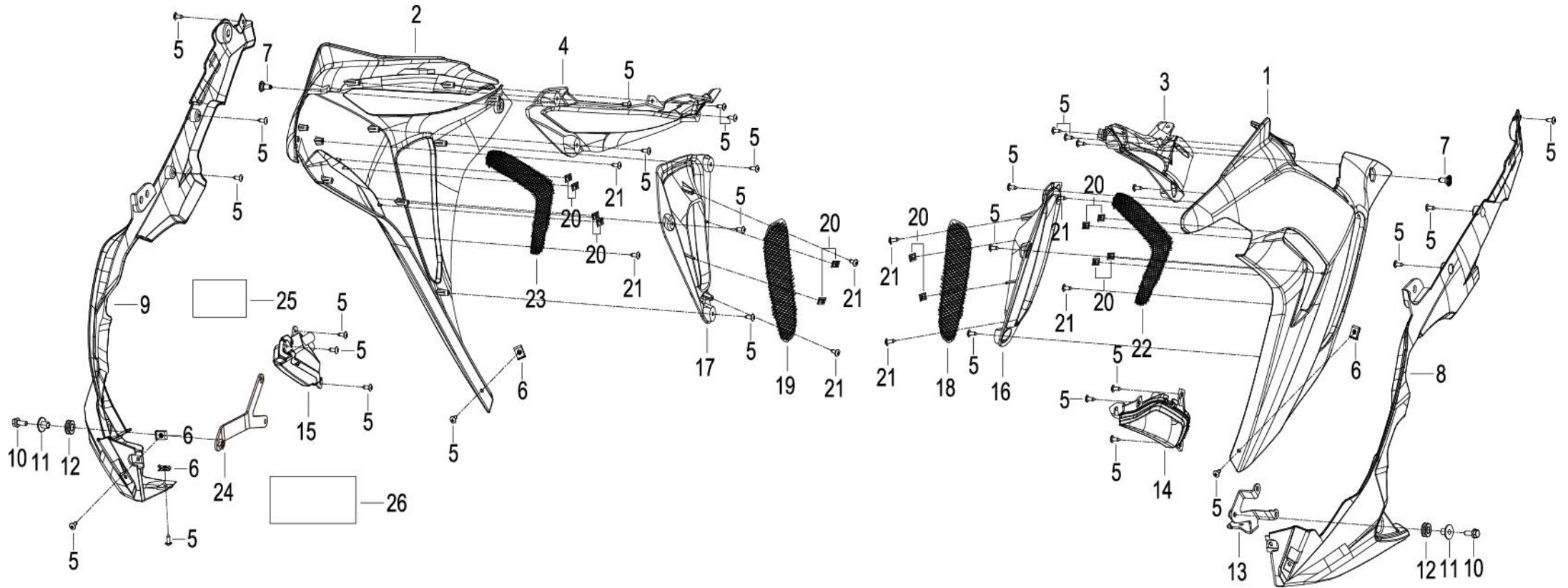
POSITION NO.	CODE	EN DESCRIPTION	QTY/UNIT	PRICE	REMARKS
F14-01	65201M51B100	FRONT HANDLE COVER,BLACK B1,WITHOUT STICKER	1		
F14-01	65201M51F900	FRONT HANDLE COVER,RED F9,WITHOUT STICKER	1		
F14-01	65201M51E600	FRONT HANDLE COVER,BLUE E6,WITHOUT STICKER	1		
F14-02	B0507420130H	SCREW ST4.2x13	11		
F14-03	65203M51B100	SPEEDOMETER VISOR,BLACK B1	1		
F14-04	80000M510000	HEAD LAMP ASSY.	1		
F14-05	65801T020201	INSERT ST4.2	5		
F14-06	65202M510000	REAR HANDLE COVER	1		
F14-07	B0284060200A	SCREW M6x20	2		
F14-08	70000M510000	SPEEDOMETER ASSY	1		
F14-09	91140V030000	STARTER BUTTON	1		
F14-10	91130V030000	DIMMER SWITCH	1		
F14-11	91110V030000	HORN SWITCH	1		
F14-12	91120V030000	TURN SIGNAL SWITCH	1		
F14-13	91160V030000	WARNING SWITCH	1		
F14-14	B0507420160H	SCREW ST4.2x16	3		

F15 FRONT COVER ASSY.



POSITION NO.	CODE	EN DESCRIPTION	QTY/UNIT	PRICE	REMARKS
F15-01	65301M51001Z	FRONT FACE PLATE,BLACK B1,WITH STICKER	1		
F15-01	65301M51002Z	FRONT FACE PLATE,RED F9,WITH STICKER	1		
F15-01	65301M51003Z	FRONT FACE PLATE,BLUE E6,WITH STICKER	1		
F15-02	65801T020201	INSERT ST4.2	10		
F15-03	B0109060256H	BOLT M6x25	2		
F15-04	08305J040000	T BUSH	2		
F15-05	65618J820000	RUBBER CUSHION	2		
F15-06	83100M510000	FRONT LEFT POSITION LIGHT	1		
F15-07	B0507420130H	SCREW ST4.2x13	20		
F15-08	83300M510000	FRONT RIGHT POSITION LIGHT	1		
F15-09	65303M51B100	FRONT FACE PLATE DECORATIVE PLATE	1		
F15-09	65303M51F900	FRONT FACE PLATE DECORATIVE PLATE,RED F9	1		
F15-10	05521B450000	BENELLI LABEL	1		
F15-11	65315M510000	FRONT FACEPLATE SUPORT BOARD	1		
F15-12	65419M51B100	FOOT PROTECT COVER SHIELD,BLACK B1	1		
F15-13	B0284060200A	SCREW M6x20	1		
F15-14	B0284060150A	SCREW M6x15.2	1		
F15-15	65321V030000	BOX	1		
F15-16	65305M510000	FRONT LARGE COVER PANEL BARBED WIRE	1		

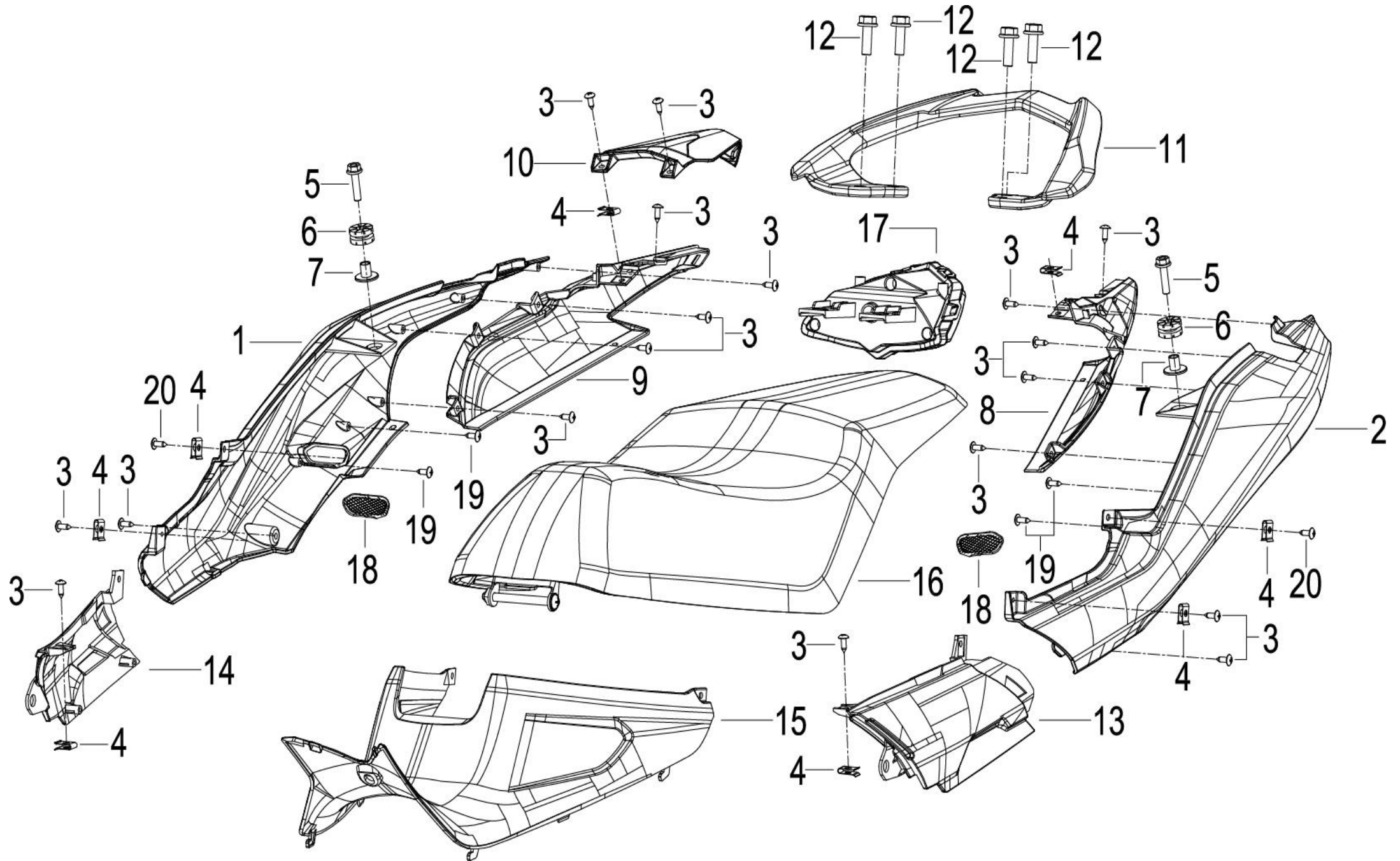
F16 REAR FENDER ASSY.



POSITION NO.	CODE	EN DESCRIPTION	QTY/UNIT	PRICE	REMARKS
F15-01	65402V03010Z	LEFT FOOT PROTECT COVER,BLACK B1,WITH STICKER	1		
F15-01	65402V03011Z	LEFT FOOT PROTECT COVER,RED F9,WITH STICKER	1		
F15-01	65402V03012Z	LEFT FOOT PROTECT COVER,BLUE E6,WITH STICKER	1		
F15-02	65422V03010Z	RIGHT FOOT PROTECT COVER,BLACK B1,WITH STICKER	1		
F15-02	65422V03011Z	RIGHT FOOT PROTECT COVER,RED F9,WITH STICKER	1		
F15-02	65422V03012Z	RIGHT FOOT PROTECT COVER,BLUE E6,WITH STICKER	1		

POSITION NO.	CODE	EN DESCRIPTION	QTY/UNIT	PRICE	REMARKS
F16-03	65408V030000	LEFT DECORATIVE BOARD	1		
F16-04	65409V030000	RIGHT DECORATIVE BOARD	1		
F16-05	B0507420130H	SCREW ST4.2x13	28		
F16-06	65801T020201	INSERT ST4.2	4		
F16-07	B0284060150A	SCREW M6x15.2	2		
F16-08	65406V030000	ENGINE LEFT COWLING	1		
F16-09	65407V030000	ENGINE RIGHT COWLING	1		
F16-10	B0109060166H	BOLT M6x16	2		
F16-11	08305J040000	T BUSH	2		
F16-12	47028G220000	RUBBER SLEEVE	2		
F16-13	65430V030000	BRACKET ASSY	1		
F16-14	81100V030000	FRONT LEFT TURN SIGNAL LIGHT	1		
F16-15	81300V030000	FRONT RIGHT TURN SIGNAL LIGHT	1		
F16-16	65305V03HT00	LEFT AIR OUTLET,GREY HT	1		
F16-17	65306V03HT00	RIGHT AIR OUTLET,GREY HT	1		
F16-18	65307V030000	LEFT BARBED WIRE	1		
F16-19	65308V030000	RIGHT BARBED WIRE	1		
F16-20	65311B910000	CARD	12		
F16-21	B0507420100H	SCREW ST4.2x9.5	8		
F16-22	65436V030000	LEFT FOOT PROTECT COVER BARBED WIRE	1		
F16-23	65437V030000	RIGHT FOOT PROTECT COVER BARBED WIRE	1		
F16-24	65550M510000	RIGHT COWLING BRACKET ASSY	1		
F16-25	65438L260000	INSULATION MAT I	1		
F16-26	65439L260000	INSULATION MAT II	1		

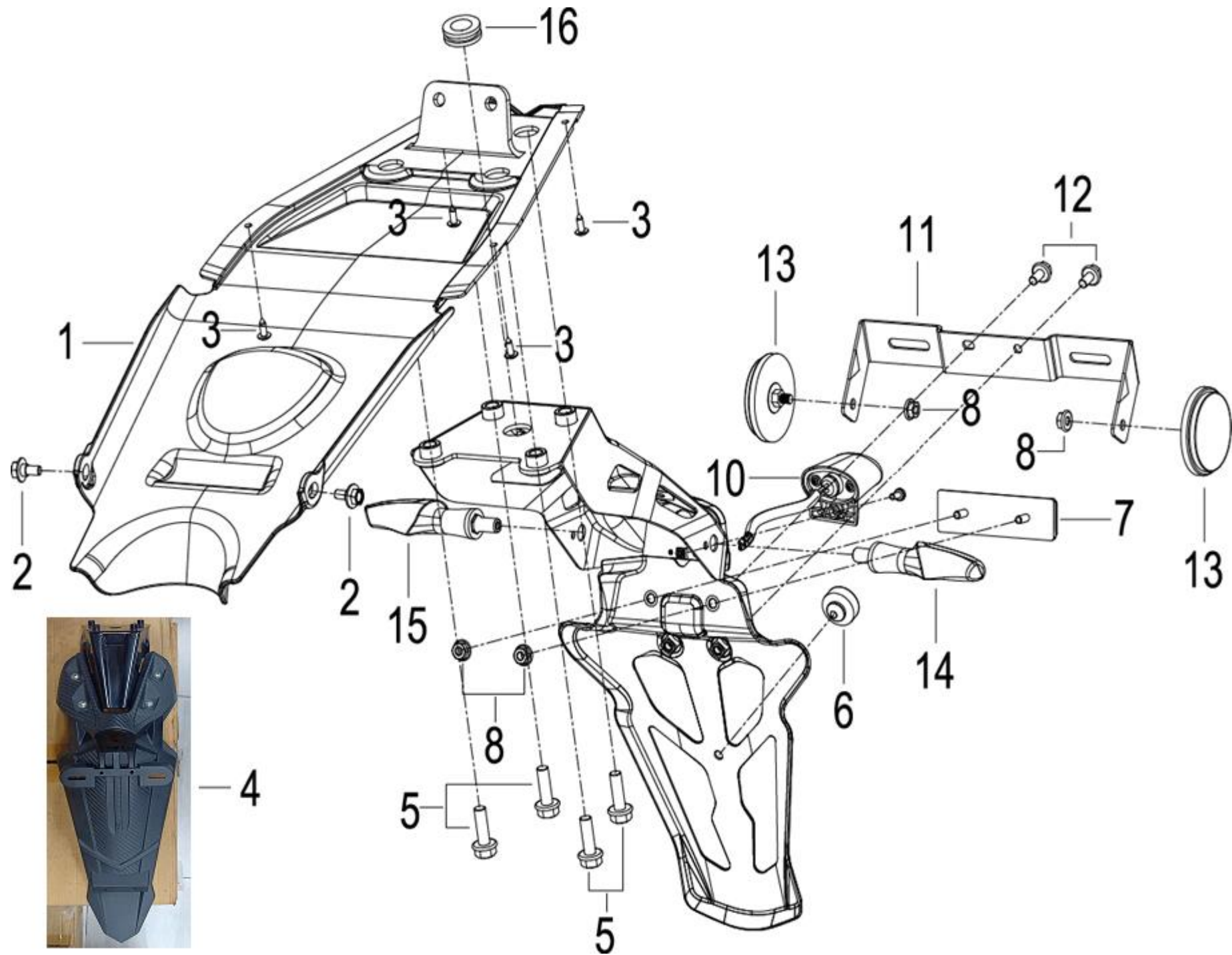
F17 SIDE COVER ASSY.



POSITION NO.	CODE	EN DESCRIPTION	QTY/UNIT	PRICE	REMARKS
F17-01	65602V03011Z	RIGHT SIDE COVER,BLACK B1,WITH STICKER	1		
F17-01	65602V03012Z	RIGHT SIDE COVER,RED F9,WITH STICKER	1		
F17-01	65602V03013Z	RIGHT SIDE COVER,BLUE E6,WITH STICKER	1		
F17-02	65601V03011Z	LEFT SIDE COVER,BLACK B1,WITH STICKER	1		
F17-02	65601V03012Z	LEFT SIDE COVER,RED F9,WITH STICKER	1		
F17-02	65601V03013Z	LEFT SIDE COVER,BLUE E6,WITH STICKER	1		
F17-03	B0507420130H	SCREW ST4.2x13	18		
F17-04	65801T020201	INSERT ST4.2	8		
F17-05	B0109060606H	BOLT M6 X 60	2		
F17-06	65618J820000	RUBBER CUSHION	2		
F17-07	08305J040000	T BUSH	2		
F17-08	65901V030000	LEFT TAIL COVER	1		
F17-09	65902V030000	RIGHT TAIL COVER	1		
F17-10	65606V03B100	TAIL COVER CONNECT BOARD,BLACK B1	1		
F17-10	65606V03F900	TAIL COVER CONNECT BOARD,RED F9	1		
F17-10	65606V03E600	TAIL COVER CONNECT BOARD,BLUE E6	1		
F17-11	52002V03B100	GRAB RAIL,BLACK B1	1		
F17-11	52002V03F900	GRAB RAIL,RED F9	1		
F17-11	52002V03U600	GRAB RAIL,GREEN U6	1		
F17-12	B0109080256H	BOLT M8x25	4		
F17-13	65603V03B100	LEFT FRONT SIDE COVER,BLACK B1	1		
F17-13	65603V03F900	LEFT FRONT SIDE COVER,RED F9	1		
F17-13	65603V03E600	LEFT FRONT SIDE COVER,BLUE E6	1		
F17-14	65604V03B100	RIGHT FRONT SIDE COVER,BLACK B1	1		
F17-14	65604V03F900	RIGHT FRONT SIDE COVER,RED F9	1		
F17-14	65604V03E600	RIGHT FRONT SIDE COVER,BLUE E6	1		

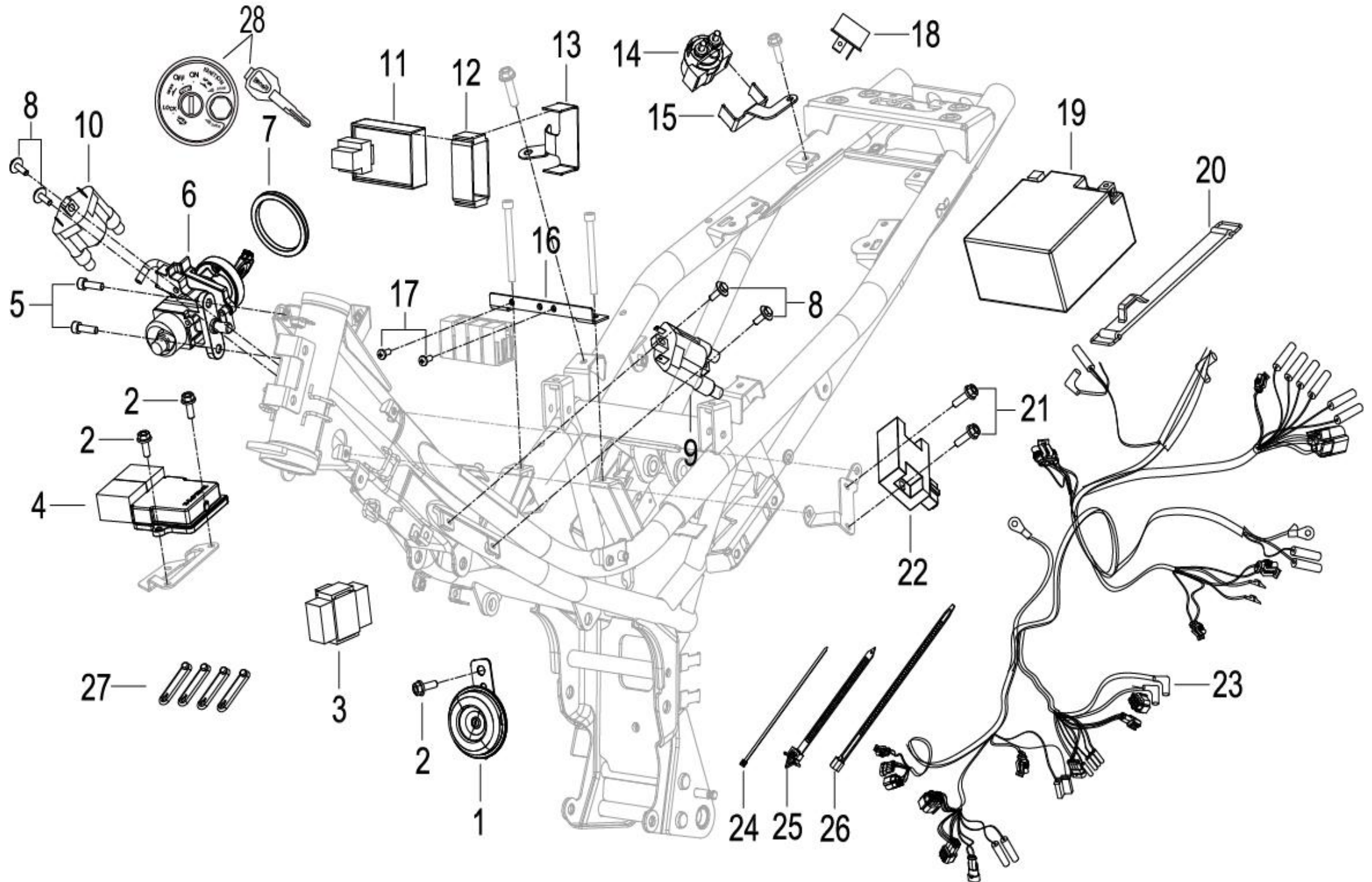
POSITION NO.	CODE	EN DESCRIPTION	QTY/UNIT	PRICE	REMARKS
F17-15	65605V030000	FRONT LEFT&RIGHT CONNECT BOARD	1		
F17-16	51100V030110	SEAT ASSY.MARK:Benelli	1		
F17-17	82000V030000	REAR LAMP ASSY	1		
F17-18	65621V030000	BARBED WIRE	2		
F17-19	B0507420100H	SCREW ST4.2x9.5	4		
F17-20	B0507420101H	SCREW ST4.2x10	2		

F18 REAR FENDER



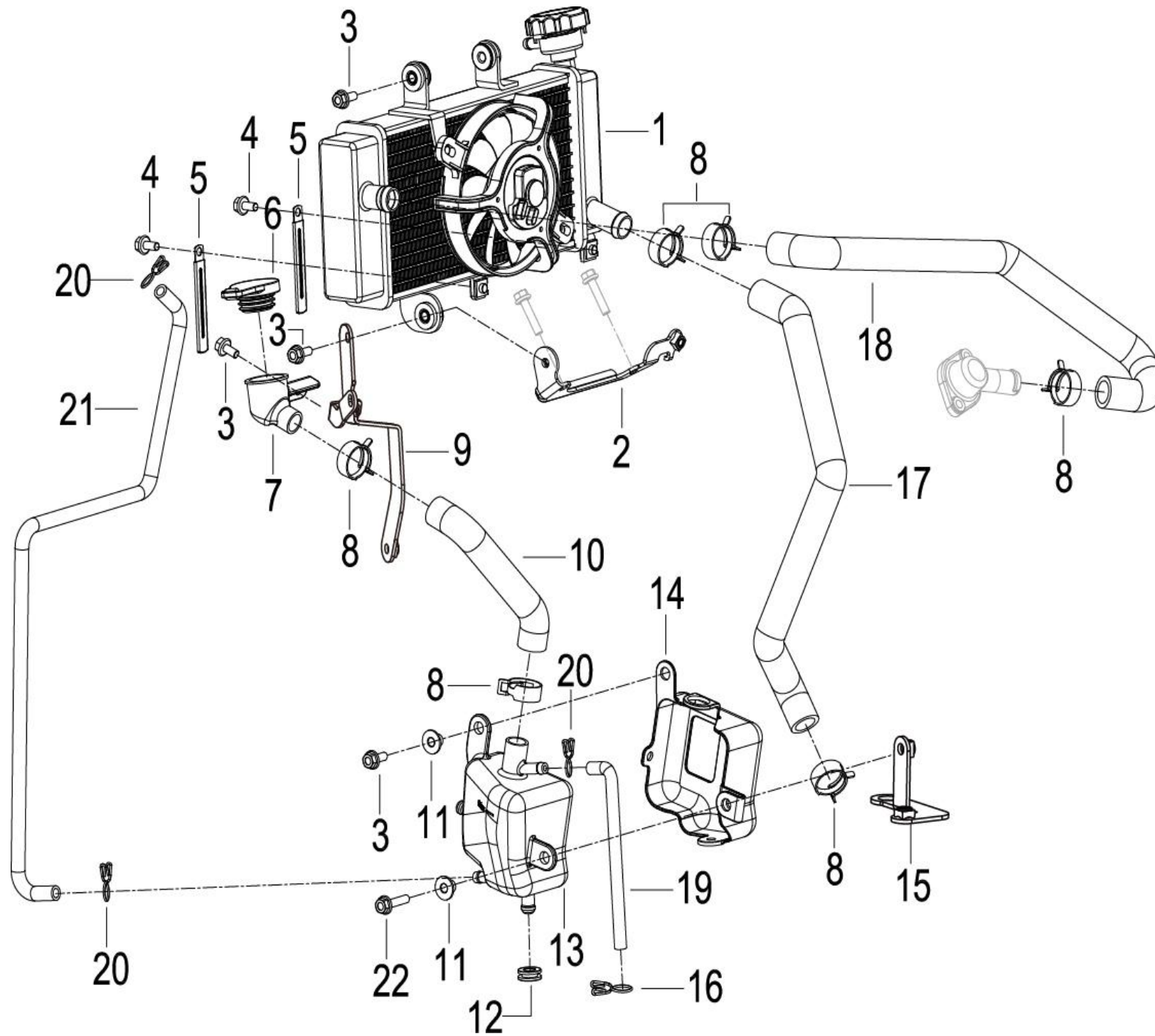
POSITION NO.	CODE	EN DESCRIPTION	QTY/UNIT	PRICE	REMARKS
F18-01	65731V030000	REAR FENDER FRONT	1		
F18-02	08011H010200	BOLT M6x14	2		
F18-03	B0507420130H	SCREW ST4.2x13	4		
F18-04	02000-R18i-000	REAR FENDER BRACKET WITH SCREW	1		
F18-05	B0109080256H	BOLT M8x25	4		
F18-06	51103V030000	RUBBER CUSHION	1		
F18-07	86500B720001	REAR REFLECTOR	1		
F18-08	B0407060005H	NUT M6	2		
F18-10	82900L290000	LICENSE PLATE LAMP	1		
F18-11	08252H360000	REAR LICENCE BRACKET	1		
F18-12	B0109060166H	BOLT M6x16	2		
F18-13	86300J000000	SIDE REFLECTOR,M6	1		
F18-14	81500V030000	REAR LEFT TURN SIGNAL LIGHT	1		
F18-15	81700V030000	REAR RIGHT TURN SIGNAL LIGHT	1		
F18-16	65713H160000	RUBBER MAT	1		

F19 ELECTRICAL EQUIPMENT ASSY.



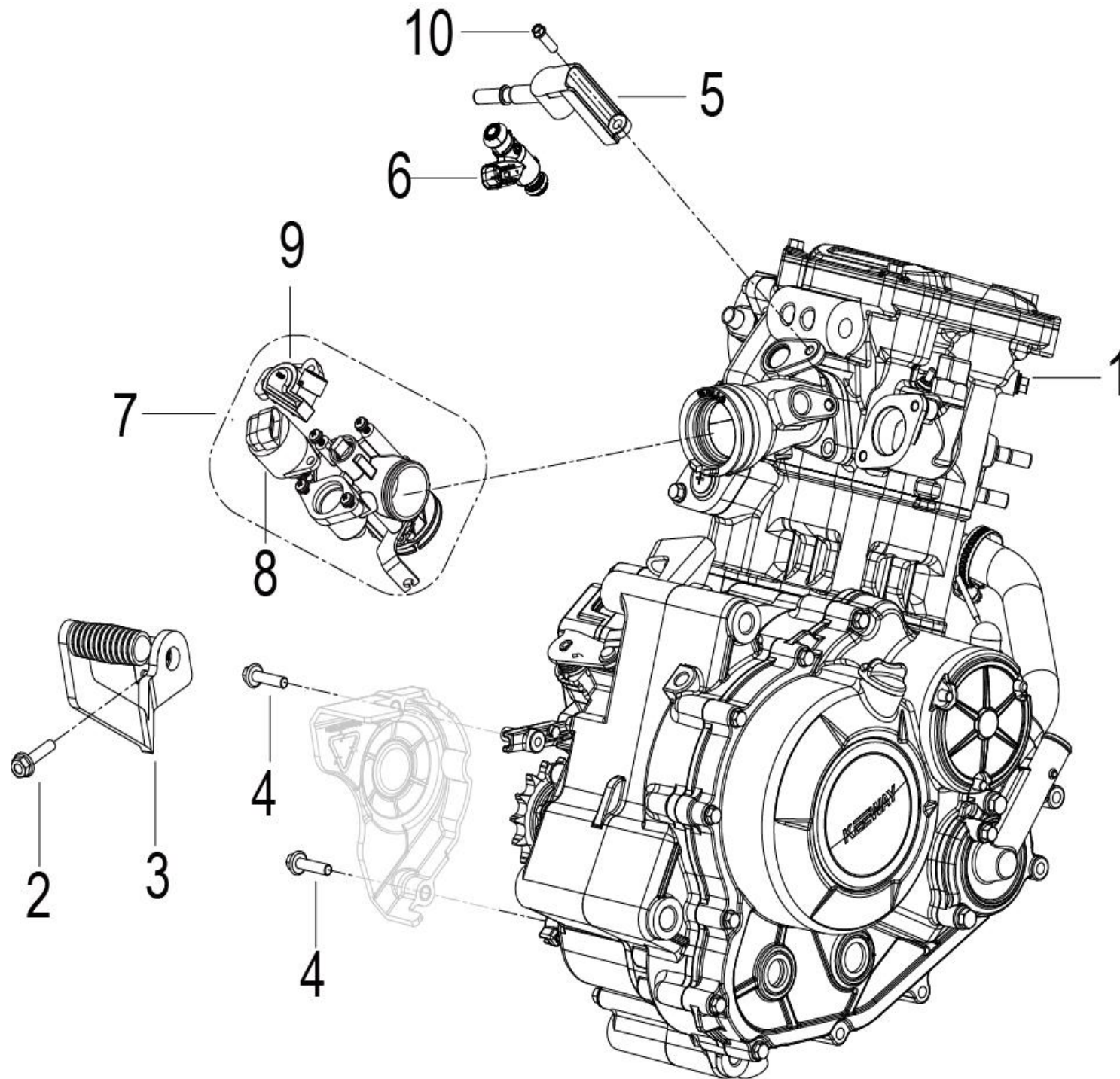
POSITION NO.	CODE	EN DESCRIPTION	QTY/UNIT	PRICE	REMARKS
F19-01	95100L260000	HORN	1		
F19-02	B0109060166H	BOLT M6x16	3		
F19-03	94400N140000	CONTROLLER,mark:250T-4	1		
F19-04	96C00P101401	ECU	1		
F19-05	B0207060202H	SCREW M6x20	2		
F19-06	88100V030000	POWER LOCK	1		
F19-07	88107V030000	POWER LOCK DUSTPROOF RING	1		
F19-08	B1301050160H	SCREW M5x16	4		
F19-09	96200V030000	IGNITION COIL	1		
F19-10	96200V030001	IGNITION COIL	1		
F19-11	96400H390001	FLASHER	1		
F19-12	96007B720001	JACKET,FLASHER	1		
F19-13	57164V030000	C.D.I FIXING BOARD	1		
F19-14	94100T850000	RELAY START	1		
F19-15	57403V030000	RELAY START FIXING BOARD	1		
F19-16	59410M510000	SMALL RELAY MOUNTING PLATE	1		
F19-17	B0200050122H	SCREW M5x12	2		
F19-18	96700K060000	ACTUATING DIODE	1		
F19-20	96020M510000	BATTERY BAND	1		
F19-21	B0109060206H	BOLT M6x20	2		
F19-22	299064010000	REGULATOR	1		
F19-23	92000M510000	WIRE HARNESS ASSY	1		
F19-24	40098B450000	BAND	2		
F19-25	96001T750000	BAND 150MM	5		
F19-26	96002J000000	CLAMP 200MM	1		
F19-27	96003P250000	CLIP,RUBBER	4		
F19-28	88900L26090X	KEY NUT	1		

F20 COOLING SYSTEM ASSY.



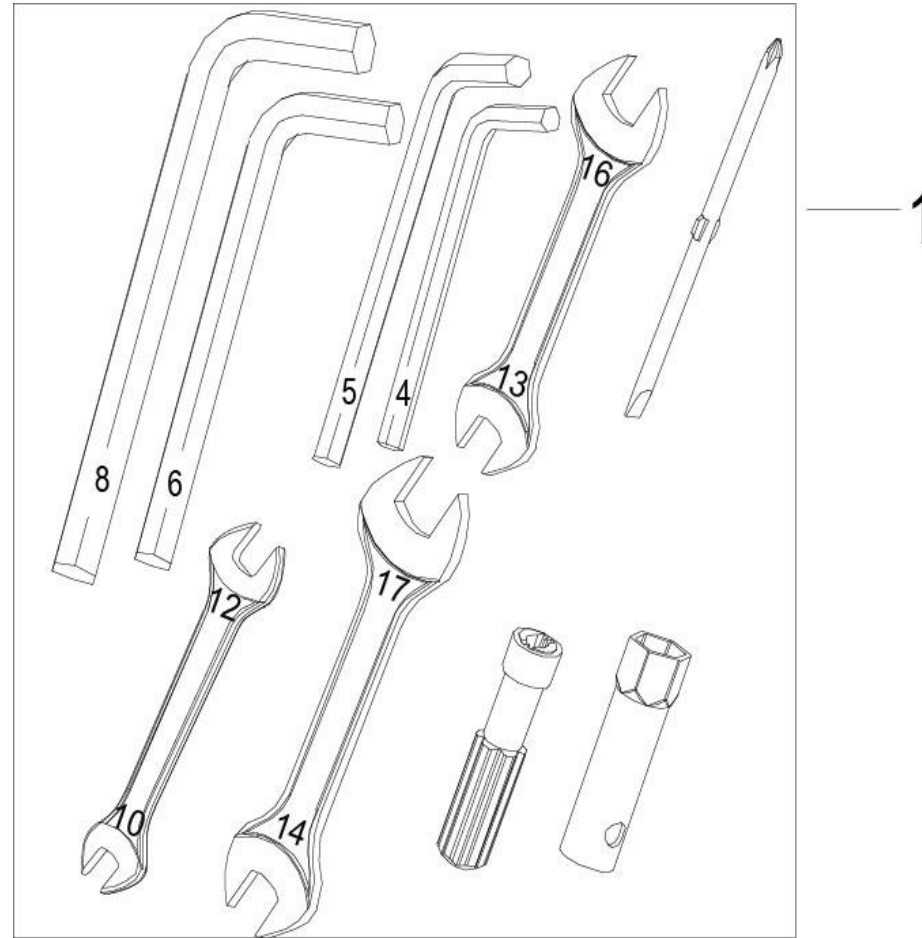
POSITION NO.	CODE	EN DESCRIPTION	QTY/UNIT	PRICE	REMARKS
F20-01	279125300000	RADIATOR	1		
F20-02	59450V030000	RADIATOR FIXING BRACKET	1		
F20-03	B0109060166H	BOLT M6×16	4		
F20-04	B0109060126H	BOLT M6×12	2		
F20-05	58430J000000	WIRE CLIP	2		
F20-06	06112T580000	COOLANT RESERVE TANK CAP	1		
F20-07	06106T430007	COOLANT RESERVE TANK WATER SYSTEM FILLER	1		
F20-08	06103N120000	CLIP Φ25	6		
F20-09	59460L590000	KETTLE FIXING BORAD	1		
F20-10	06101V030000	CONNECT KETTLE&WATER CUP PIPE	1		
F20-11	27097505001X	BUSH	2		
F20-12	65115N140000	RUBBER CUSHION	1		
F20-13	06111V030000	COOLANT RESERVE TANK	1		
F20-14	06113V030001	COOLANT RESERVE TANK PROTECT RUBBER	1		
F20-15	58160L590000	COOLANT RESERVE TANK FIXING BORAD	1		
F20-16	B17010125003	WIRE CLAMP Φ12.5	1		
F20-17	06214V030000	INLET HOSE	1		
F20-18	06215V030000	OUTLET HOSE	1		
F20-19	06107V030000	COOLANT RESERVE TANK OVERFLOW PIPE φ7×φ11	1		
F20-20	B17010110003	WIRE CLAMP Φ11	3		
F20-21	06223V030000	RADIATOR OVERFLOW PIPE	1		
F20-22	B0109060206H	BOLT M6×20	1		

F21 ENGINE ATTACHMENT

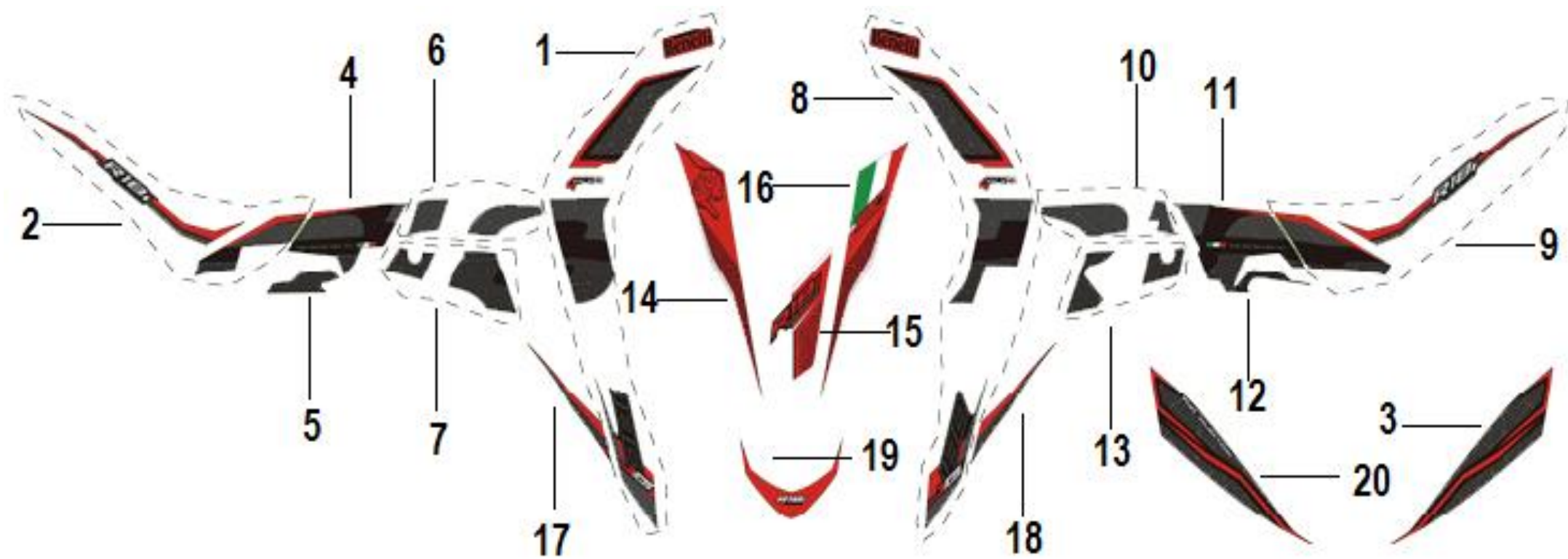


POSITION NO.	CODE	EN DESCRIPTION	QTY/UNIT	PRICE	REMARKS
F21-01	C2530011Y100	COMPELETE ENGINE ASSY	1		
F21-02	B0109060256H	BOLT M6x25	1		
F21-03	08370V030000	SHIFT PEDAL ASSY	1		
F21-04	B0107060286H	BOLT M6x28	2		
F21-05	289044460000	FUEL INJECTOR SEAT	1		
F21-06	289035210000	FUEL INJECTOR	1		
F21-07	289005110020	THROTTLE BODY ASSY	1		
F21-08	280024320000	STEPPER MOTOR	1		
F21-09	280023300000	THROTTLE POSITION SENSOR	1		need change 280066590000 together
F21-10	B0109050166H	BOLT M5x16	1		

F21 TOOL KIT ASSY.

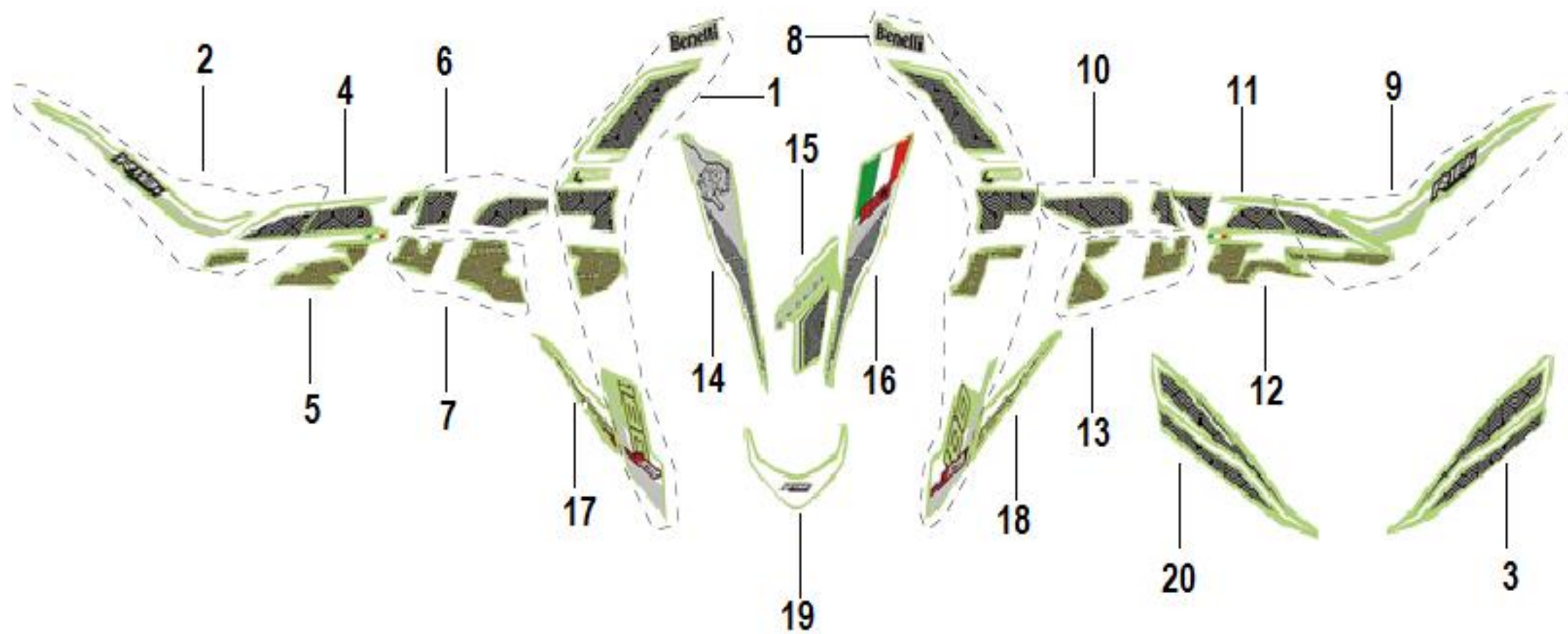


POSITION NO.	CODE	EN DESCRIPTION	QTY/UNIT	PRICE	REMARKS
F22-01	02100B420000	TOOL KIT ASSY	1		



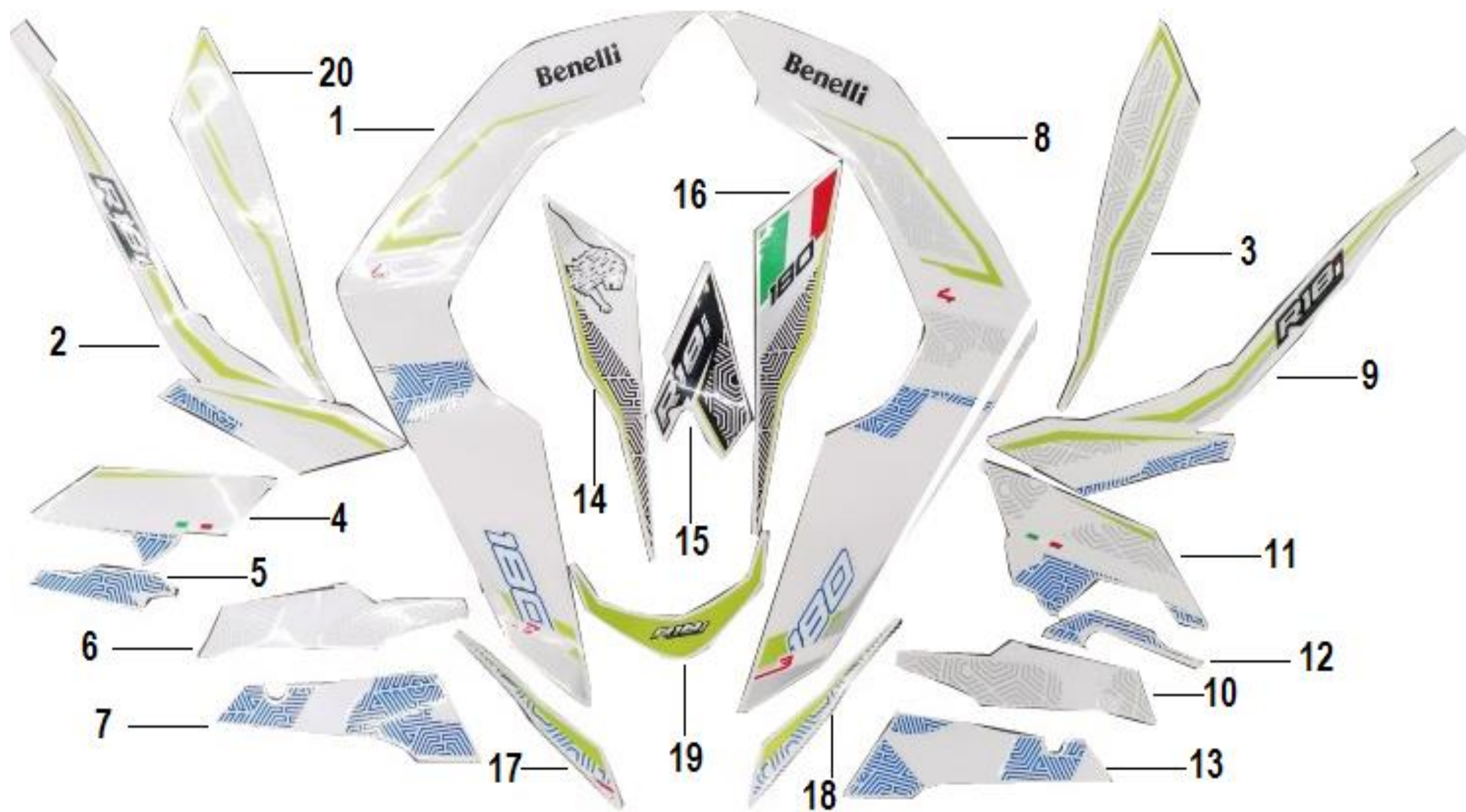
POSITION NO.	CODE	EN DESCRIPTION	QTY/UNIT	PRICE	REMARKS
F23-01	05545M51B100	RIGHT STICKER I,FOOT PROTECT COVER	1		
F23-02	05514M51B100	RIGHT STICKER I,SIDE COVER	1		
F23-03	05524M51B100	LEFT STICKER II,FRONT FACEPLATE	1		
F23-04	05515M51B100	RIGHT STICKER II,SIDE COVER	1		
F23-05	05516M51B100	RIGHT STICKER III	1		
F23-06	05547M51B100	RIGHT STICKER VII,FOOT PROTECT COVER	1		
F23-07	05548M51B100	RIGHT STICKER VIII,FOOT PROTECT COVER	1		
F23-08	05541M51B100	LEFT STICKER I,FOOT PROTECT COVER	1		
F23-09	05511M51B100	LEFT STICKER I,SIDE COVER	1		
F23-10	05543M51B100	LEFT STICKER III,FOOT PROTECT COVER	1		
F23-11	05512M51B100	LEFT STICKER II,SIDE COVER	1		
F23-12	05513M51B100	LEFT STICKER III	1		
F23-13	05544M51B100	LEFT STICKER IV,FOOT PROTECT COVER	1		
F23-14	05522M51B100	RIGHT STICKER I,FRONT FACEPLATE	1		
F23-15	05523M51B100	MIDDE STICKER,FRONT FACEPLATE	1		
F23-16	05521M51B100	LEFT STICKER I,FRONT FACEPLATE	1		
F23-17	05546M51B100	RIGHT STICKER VI,FOOT FACEPLATE	1		
F23-18	05542M51B100	LEFT STICKER II,FOOT FACEPLATE	1		
F23-19	05501M51B100	STICKER,FRONT FENDER	1		
F23-20	05525M51B100	RIGHT STICKER II,FRONT FACEPLATE	1		

F24 (FOR RED R2)



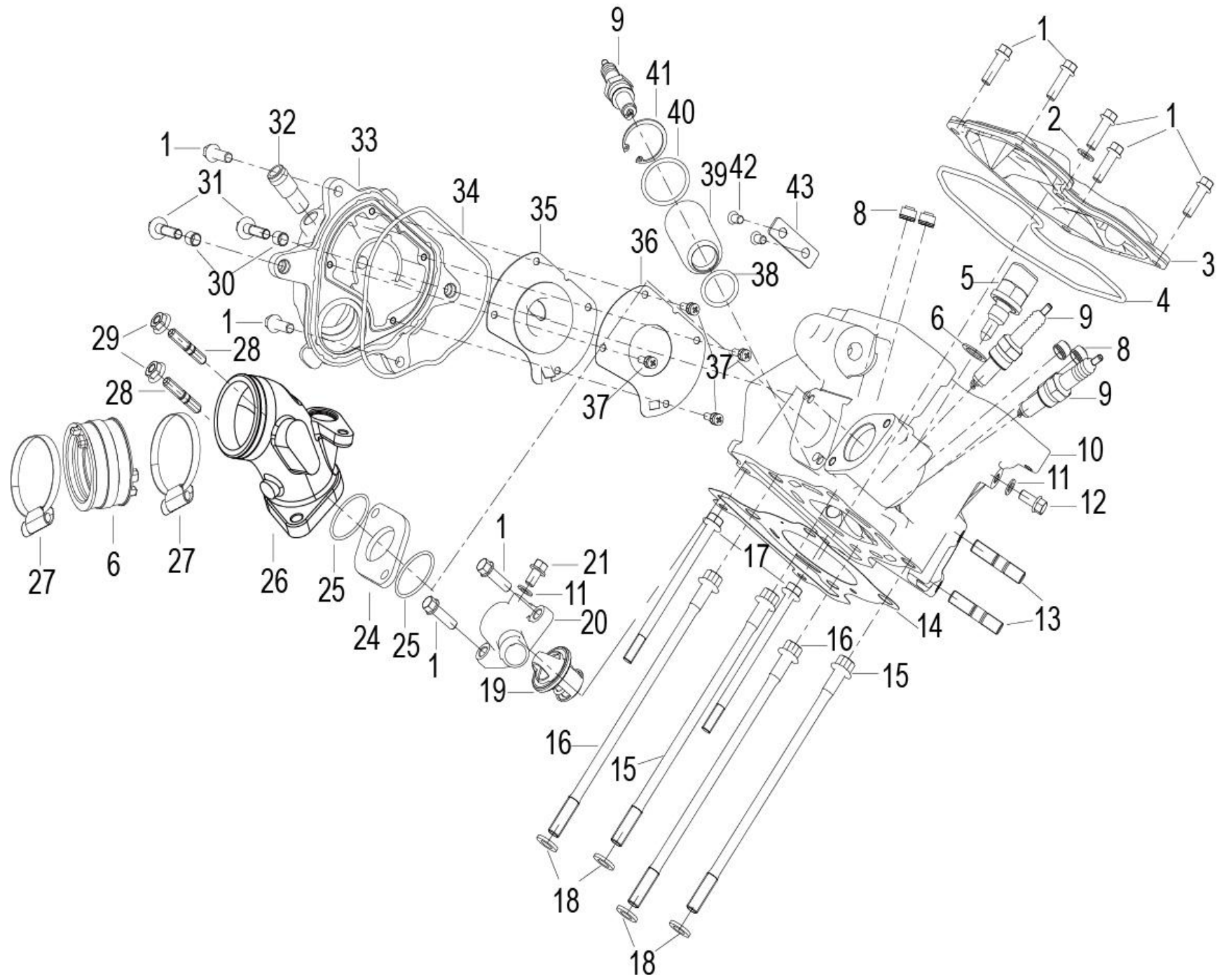
POSITION NO.	CODE	EN DESCRIPTION	QTY/UNIT	PRICE	REMARKS
F24-01	05545M51F900	RIGHT STICKER I,FOOT PROTECT COVER	1		
F24-02	05514M51F900	RIGHT STICKER I,SIDE COVER	1		
F24-03	05524M51F900	LEFT STICKER II,FRONT FACEPLATE	1		
F24-04	05515M51F900	RIGHT STICKER II,SIDE COVER	1		
F24-05	05516M51F900	RIGHT STICKER III	1		
F24-06	05547M51F900	RIGHT STICKER VII,FOOT PROTECT COVER	1		
F24-07	05548M51F900	RIGHT STICKER VIII,FOOT PROTECT COVER	1		
F24-08	05541M51F900	LEFT STICKER I,FOOT PROTECT COVER	1		
F24-09	05511M51F900	LEFT STICKER I,SIDE COVER	1		
F24-10	05543M51F900	LEFT STICKER III,FOOT PROTECT COVER	1		
F24-11	05512M51F900	LEFT STICKER II,SIDE COVER	1		
F24-12	05513M51F900	LEFT STICKER III	1		
F24-13	05544M51F900	LEFT STICKER IV,FOOT PROTECT COVER	1		
F24-14	05522M51F900	RIGHT STICKER I,FRONT FACEPLATE	1		
F24-15	05523M51F900	MIDDE STICKER,FRONT FACEPLATE	1		
F24-16	05521M51F900	LEFT STICKER I,FRONT FACEPLATE	1		
F24-17	05546M51F900	RIGHT STICKER VI,FOOT FACEPLATE	1		
F24-18	05542M51F900	LEFT STICKER II,FOOT FACEPLATE	1		
F24-19	05501M51F900	STICKER,FRONT FENDER	1		
F24-20	05525M51F900	RIGHT STICKER II,FRONT FACEPLATE	1		

F25 (FOR BLUE K9)



POSITION NO.	CODE	EN DESCRIPTION	QTY/UNIT	PRICE	REMARKS
F25-01	05545M51E600	RIGHT STICKER I,FOOT PROTECT COVER	1		
F25-02	05514M51E600	RIGHT STICKER I,SIDE COVER	1		
F25-03	05524M51E600	LEFT STICKER II,FRONT FACEPLATE	1		
F25-04	05515M51E600	RIGHT STICKER II,SIDE COVER	1		
F25-05	05516M51E600	RIGHT STICKER III	1		
F25-06	05547M51E600	RIGHT STICKER VII,FOOT PROTECT COVER	1		
F25-07	05548M51E600	RIGHT STICKER VIII,FOOT PROTECT COVER	1		
F25-08	05541M51E600	LEFT STICKER I,FOOT PROTECT COVER	1		
F25-09	05511M51E600	LEFT STICKER I,SIDE COVER	1		
F25-10	05543M51E600	LEFT STICKER III,FOOT PROTECT COVER	1		
F25-11	05512M51E600	LEFT STICKER II,SIDE COVER	1		
F25-12	05513M51E600	LEFT STICKER III	1		
F25-13	05544M51E600	LEFT STICKER IV,FOOT PROTECT COVER	1		
F25-14	05522M51E600	RIGHT STICKER I,FRONT FACEPLATE	1		
F25-15	05523M51E600	MIDDE STICKER,FRONT FACEPLATE	1		
F25-16	05521M51E600	LEFT STICKER I,FRONT FACEPLATE	1		
F25-17	05546M51E600	RIGHT STICKER VI,FOOT FACEPLATE	1		
F25-18	05542M51E600	LEFT STICKER II,FOOT FACEPLATE	1		
F25-19	05501M51E600	STICKER,FRONT FENDER	1		
F25-20	05525M51E600	RIGHT STICKER II,FRONT FACEPLATE	1		

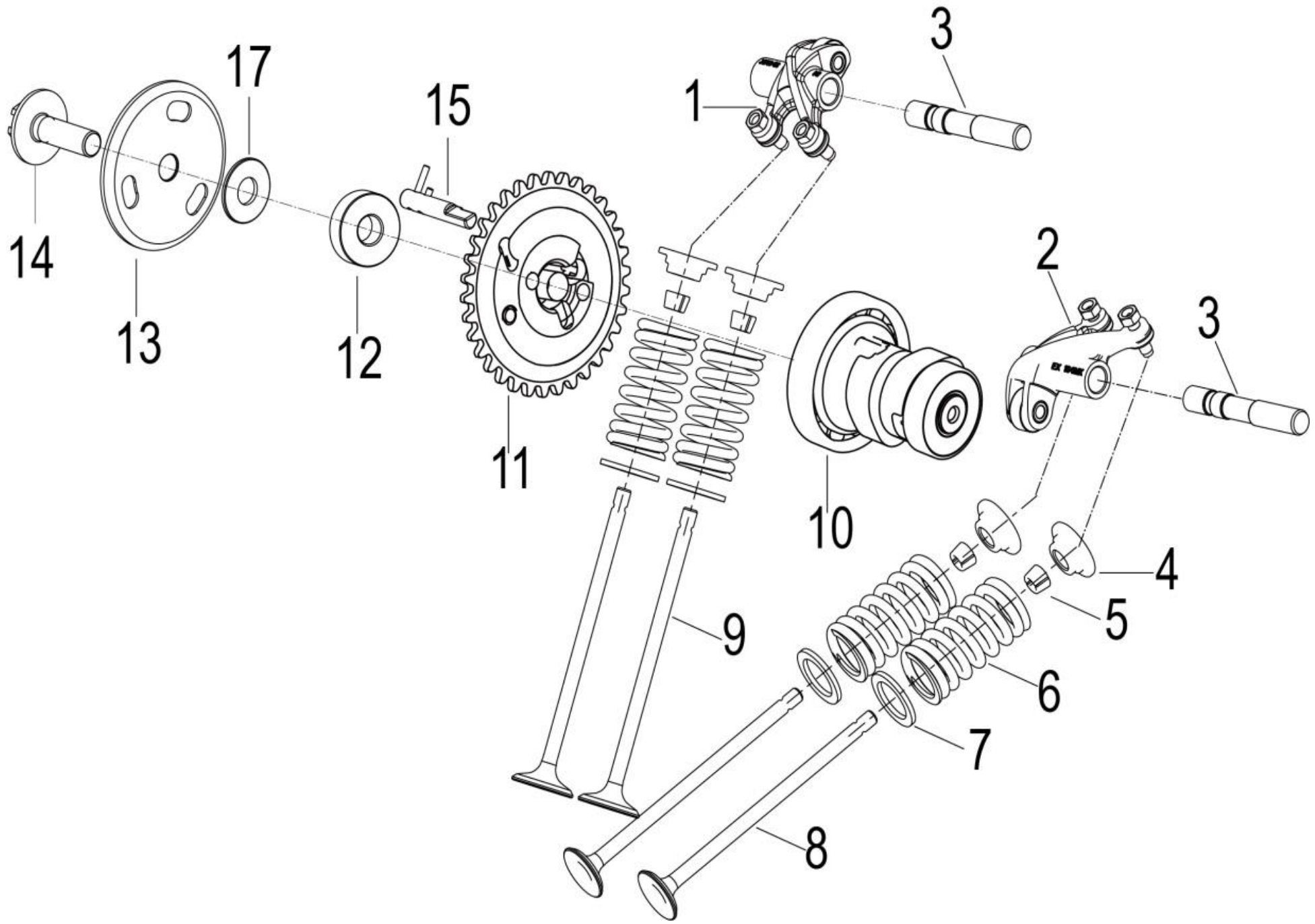
E01 CYLINDER HEAD



POSITION NO.	CODE	EN DESCRIPTION	QTY/UNIT	PRICE	REMARKS
E01-01	B0107060206H	BOLT M6x20	9		
E01-02	150013070000	WASHER 6	1		
E01-03	10901447Y100	CYLINDER HEAD COVER COMP,YELLOW	1		
E01-04	109024460000	RUBBER SEALS	1		
E01-05	270013160012	COOLANT TEMPERATURE SENSOR	1		
E01-06	119135300010	CONNECTING PIPE,AIR INTAKE PIPE	1		
E01-08	120015090000	VALVE STEM SEAL	4		
E01-09	AC-005-1201-0009	SPARK PLUG	3		
E01-10	10905530Y100	CYLINDER HEAD ASSY,YELLOW	1		
E01-11	150013070000	WASHER 6	2		
E01-12	B01070601263	BOLT M6x12	1		
E01-13	B0300080206H	STUDS M8x20	2		
E01-14	109075300000	CYLINDER HEAD GASKET	1		
E01-15	100084460000	CYLINDER HEAD BOLT	2		
E01-16	100014460000	CYLINDER HEAD BOLT	2		
E01-17	17001305011X	BOLT M6x100	2		
E01-18	100054460000	WASHER 8	4		
E01-19	279165050000	THERMOSTAT ASSY	1		
E01-20	10002441Y100	THERMOSTAT COVER,YELLOW	1		
E01-21	B0107060106H	BOLT M6x10	1		
E01-24	109155300000	HEAT INSULATION BODY	1		
E01-25	B190103250A0	O-RING 32.5x1.8	2		
E01-26	119015300020	AIR INTAKE PIPE ASSY	1		
E01-27	100355150000	CLAMP ASSY	1		
E01-28	120073050020	SHORT STUD	2		
E01-29	B0407060005H	NUT M6	2		
E01-30	200086030000	DOWEL PIN Φ 8x8	2		
E01-31	B0107060256H	BOLT M6x25	2		
E01-32	150084230000	PIPE	1		

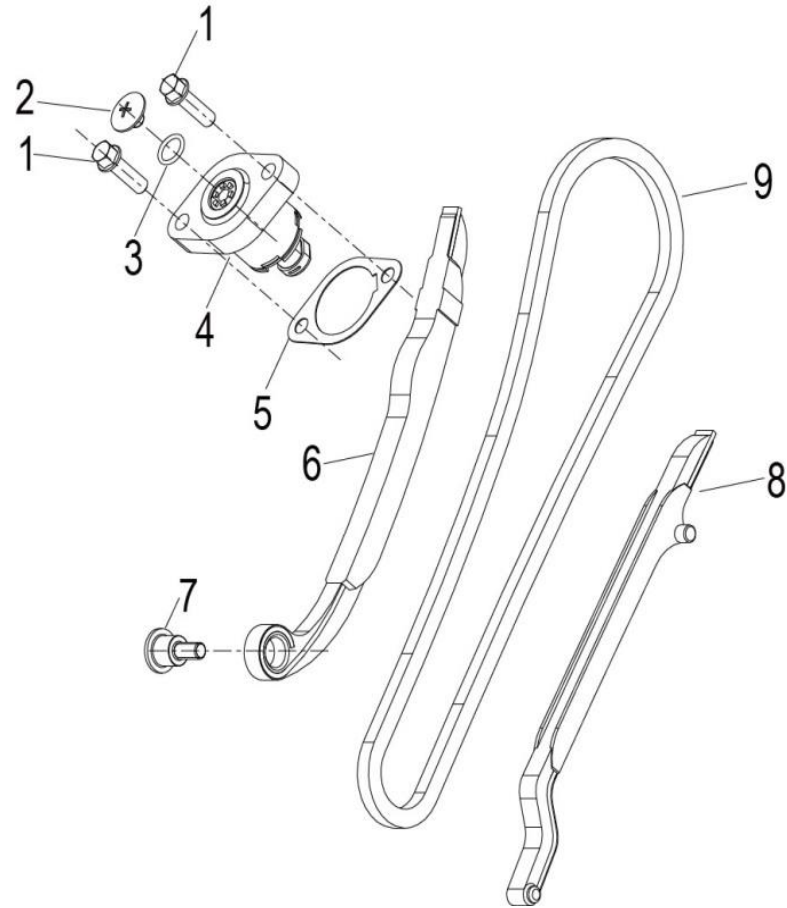
POSITION NO.	CODE	EN DESCRIPTION	QTY/UNIT	PRICE	REMARKS
E01-33	10002446Y100	CHAIN WHEEL COVER,YELLOW	1		
E01-34	100034460000	SEAL RING,CHAIN WHEEL COVER	1		
E01-35	100064460000	BREATHING ROOM COVER	1		
E01-36	100434460000	GASKET	1		
E01-37	B1308040100H	SCREW W/WASHER M4x10	4		
E01-38	150283070000	O-RING	1		
E01-39	100044460000	SPARK PLUG COVER	1		
E01-40	120202140000	O-RING	1		
E01-41	B08000002800	CIRCLIP	1		
E01-42	B0201050106H	SCREW M5x10	2		
E01-43	100074460000	BACK PLATE,ROCKER ARM SHAFT	1		

E02 VALVE MECHANISM SUB-ASSEMBLY



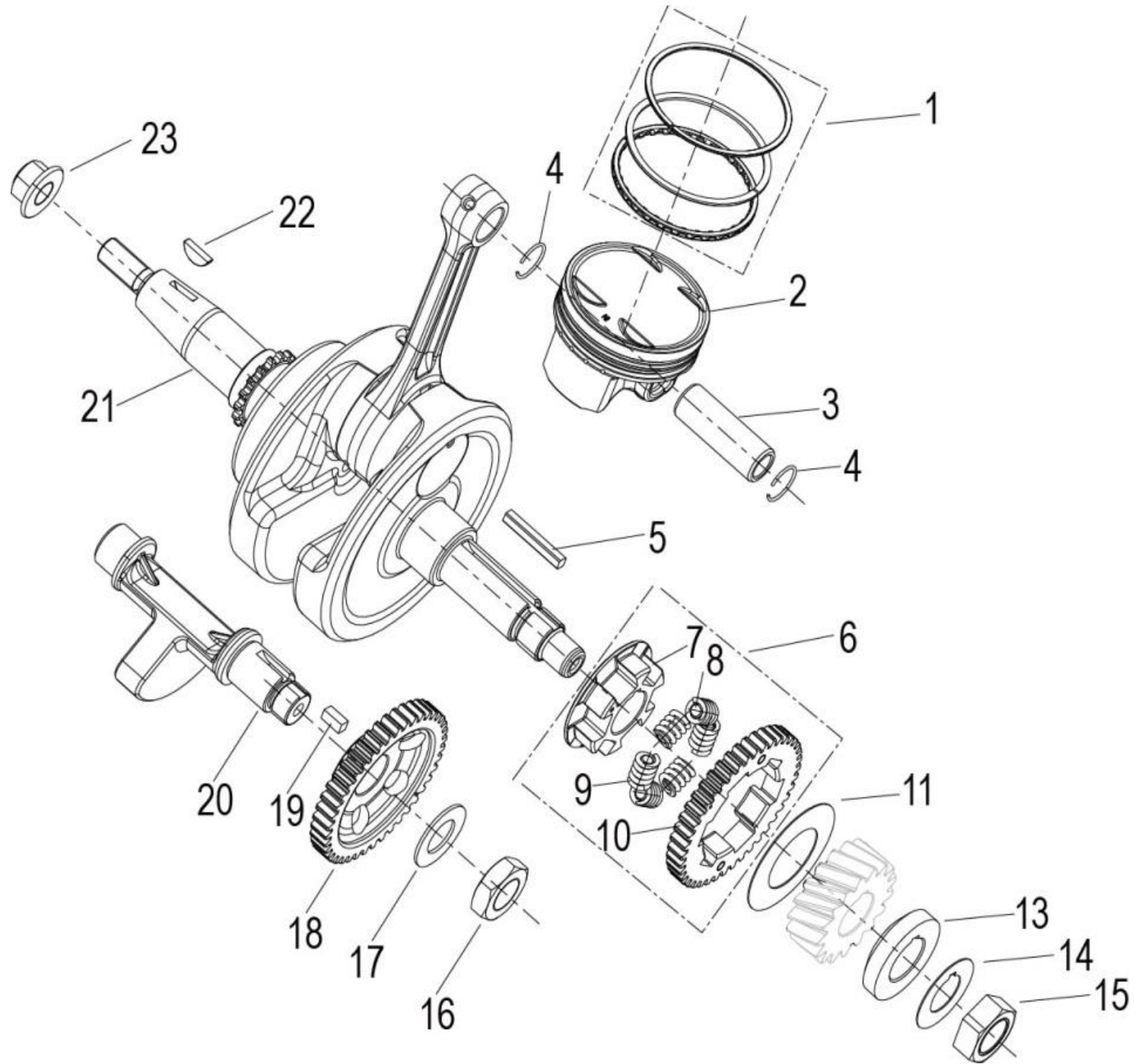
POSITION NO.	CODE	EN DESCRIPTION	QTY/UNIT	PRICE	REMARKS
E02-02	129345300000	INTAKE ROCKER ARM	1		40MM
E02-02	129355300000	EXHAUST ROCKER ARM	1		40MM
E02-03	129164410000	ROCKER ARM SHAFT	2		
E02-04	129202290000	RETAINER,VALVE SPRING	4		
E02-05	129225090000	VALVE COTTER	8		
E02-06	129254410000	VALVE SPRING	4		
E02-07	129212290000	VALVE LOWER SPRING SEAT	4		
E02-08	129195300000	EXHAUST VALVE	2		
E02-09	129185300000	INTAKE VALVE	2		
E02-10	129095300020	CAMSHAFT ASSY.	1		
E02-11	120034410010	SPROCKET	1		
E02-12	100424460000	RUBBER PLUG	1		
E02-13	129264460000	BAFFLE	1		
E02-14	120014410010	BOLT	1		
E02-15	120044410010	PIN	1		
E02-17	120054460000	WASHER 21x8.2x2.4	1		

E03 STRAINER UNIT ASSEMBLY



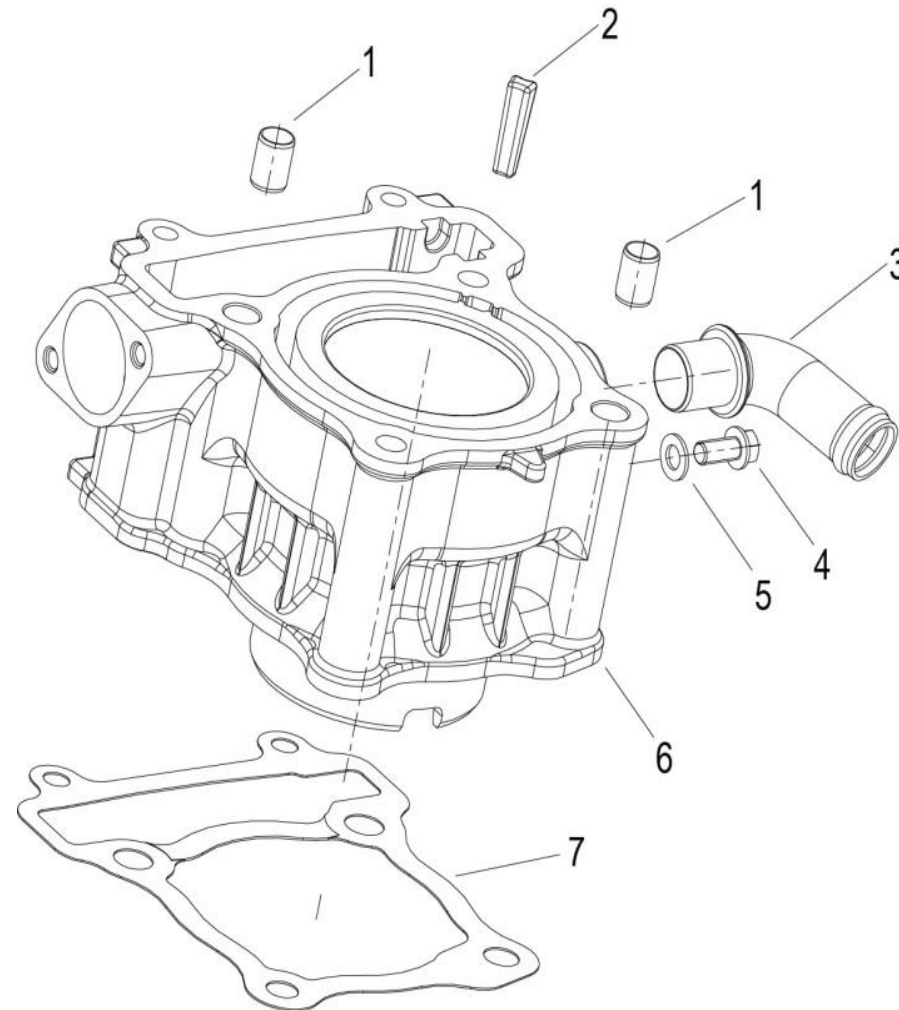
POSITION NO.	CODE	EN DESCRIPTION	QTY/UNIT	PRICE	REMARKS
E03-01	B0107060206H	BOLT M6X20	2		
E03-02	14005305001X	TENSIONER BOLT	1		
E03-03	210043050000	O-RING	1		
E03-04	149033140080	TENSIONER ASSY	1		
E03-05	140013050040	GASKET	1		
E03-06	149014410000	REAR CHAIN GUIDE ASSY.	1		
E03-07	140053630000	PIVOT, CAM CHAIN TENSIONER	1		
E03-08	149024410000	FRONT CHAIN GUIDE	1		
E03-09	140023140010	OIL PUMP DRIVE CHAIN	1		

E04 PISTON,CONNECTING ROD & CRANKSHAFT ASSY



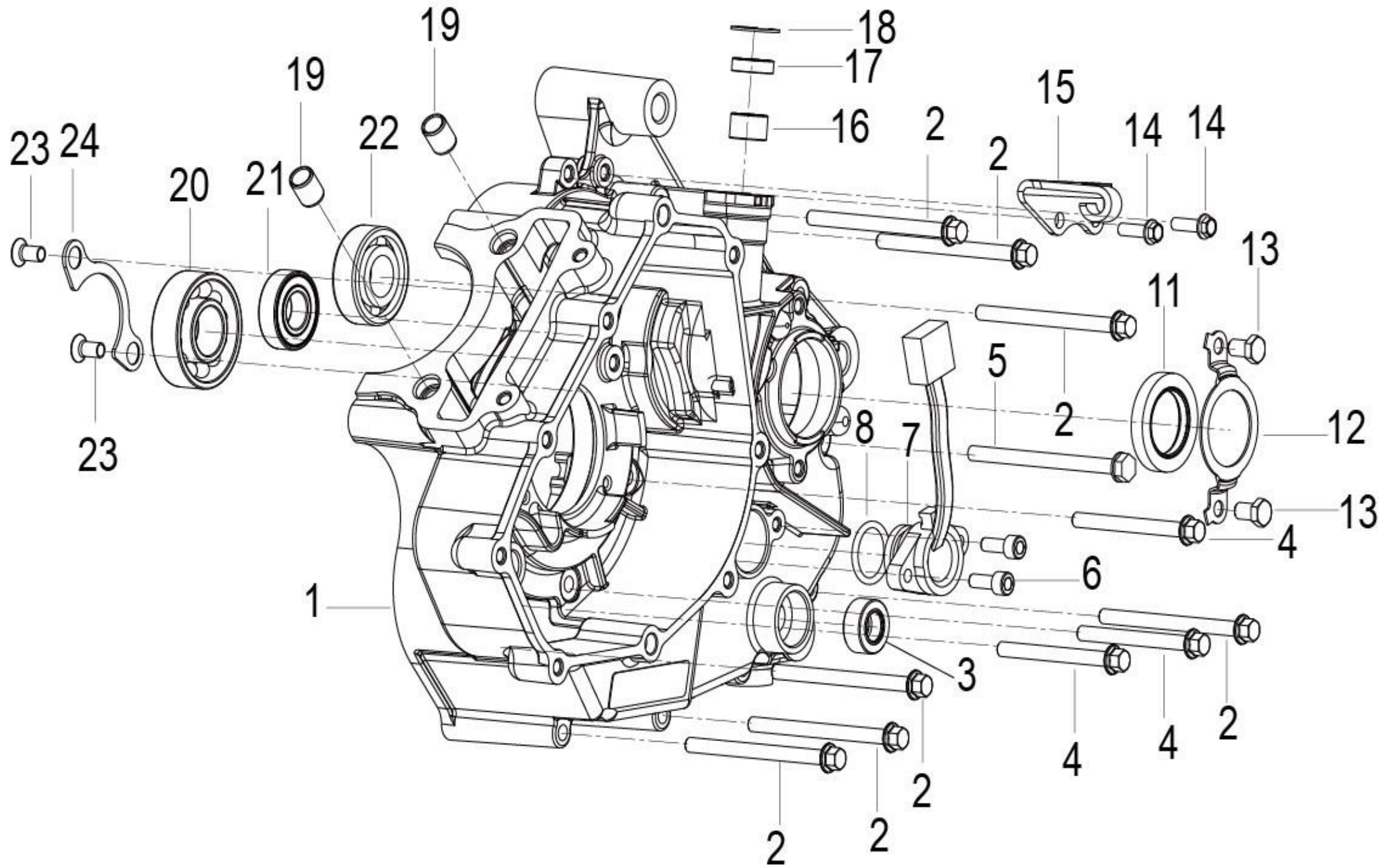
POSITION NO.	CODE	EN DESCRIPTION	QTY/UNIT	PRICE	REMARKS
E04-01	170015260000	PISTON RING	1		
E04-02	179135300000	PISTON	1		
E04-03	179145140010	PISTON PIN	1		
E04-04	179155140000	PISTON PIN CLIP	2		
E04-05	B11120404028	STRAIGHT KEY	1		
E04-06	179274410010	BALANCER GEAR ASSY	1		
E04-07	170034410010	BUSH	1		
E04-08	170204410010	DAMPING BLOCK	6		
E04-09	170194410010	DAMPING SPRING	6		
E04-10	179284410010	BALANCE SHAFT DRIVE GEAR	1		
E04-11	170144410000	DISC SPRING	1		
E04-13	269063090000	OIL PUMP DRIVE GEAR	1		
E04-14	170023090000	LOCK WASHER	1		
E04-15	170013090100	NUT M16X1.5	1		
E04-16	170065150110	NUT M14X1	1		
E04-17	170024320000	CONICAL WASHER	1		
E04-18	179264410000	BALANCE SHAFT GEAR	1		
E04-19	B11130040008	KEY 4x8	1		
E04-20	179255300000	BALANCE SHAFT	1		
E04-21	179015300000	CRANKSHAFT ASSY	1		
E04-22	B11810305013	WOODRUFF KEY	1		
E04-23	240013060110	NUT M12x1.25	1		

E05 CYLINDER ASSY



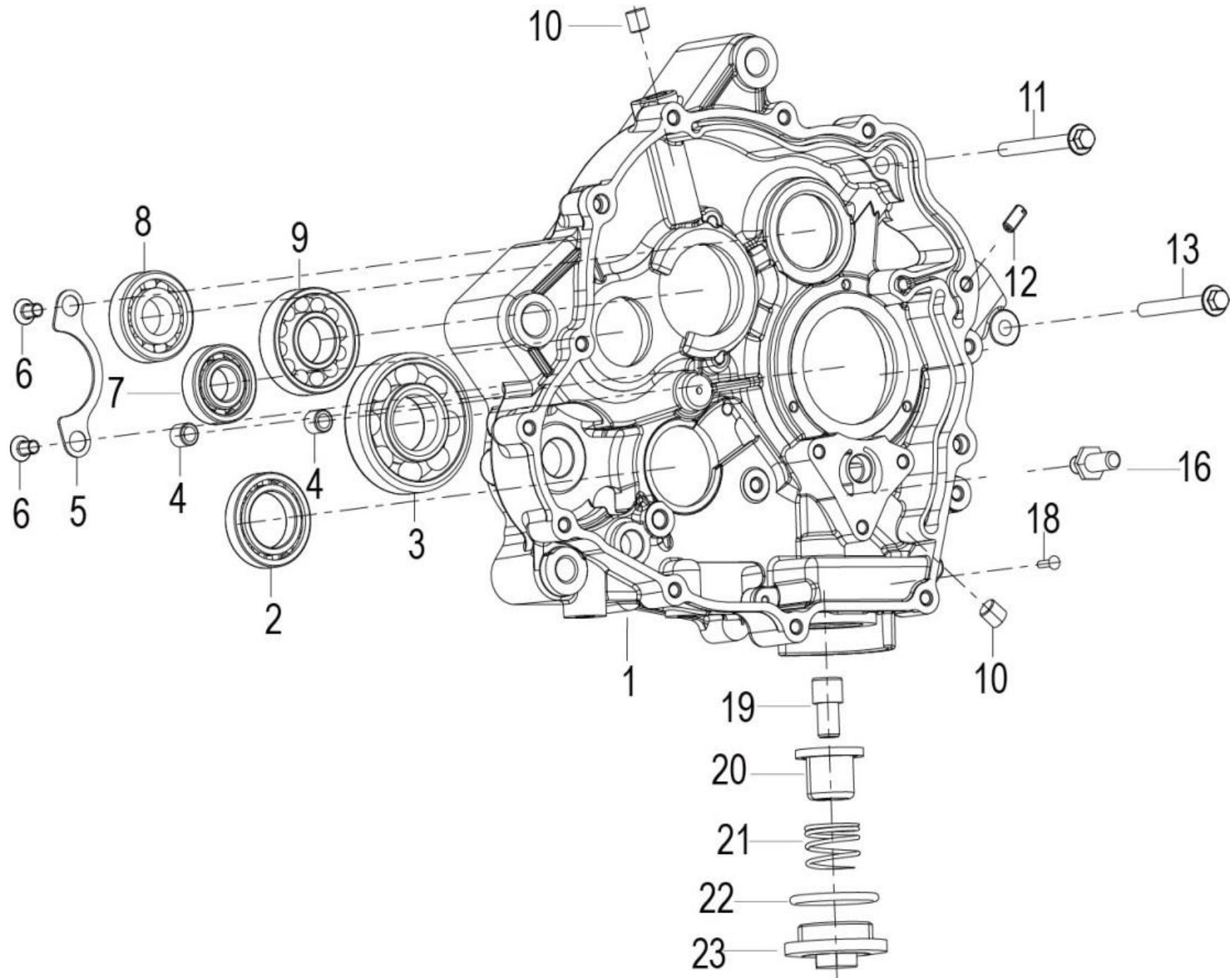
POSITION NO.	CODE	EN DESCRIPTION	QTY/UNIT	PRICE	REMARKS
E05-01	150083070000	DOWEL PIN	2		
E05-02	139055300000	RUBBER PLUG	1		
E05-03	279085150000	INLET HOSE	1		
E05-04	B01070601263	BOLT M6X12	1		
E05-05	150013070000	WASHER 6	1		
E05-06	13901530Y100	CYLINDER COMP, YELLOW	1		
E05-07	139024410010	CYLINDER GASKET	1		

E06 LEFT CRANKCASE ASSY



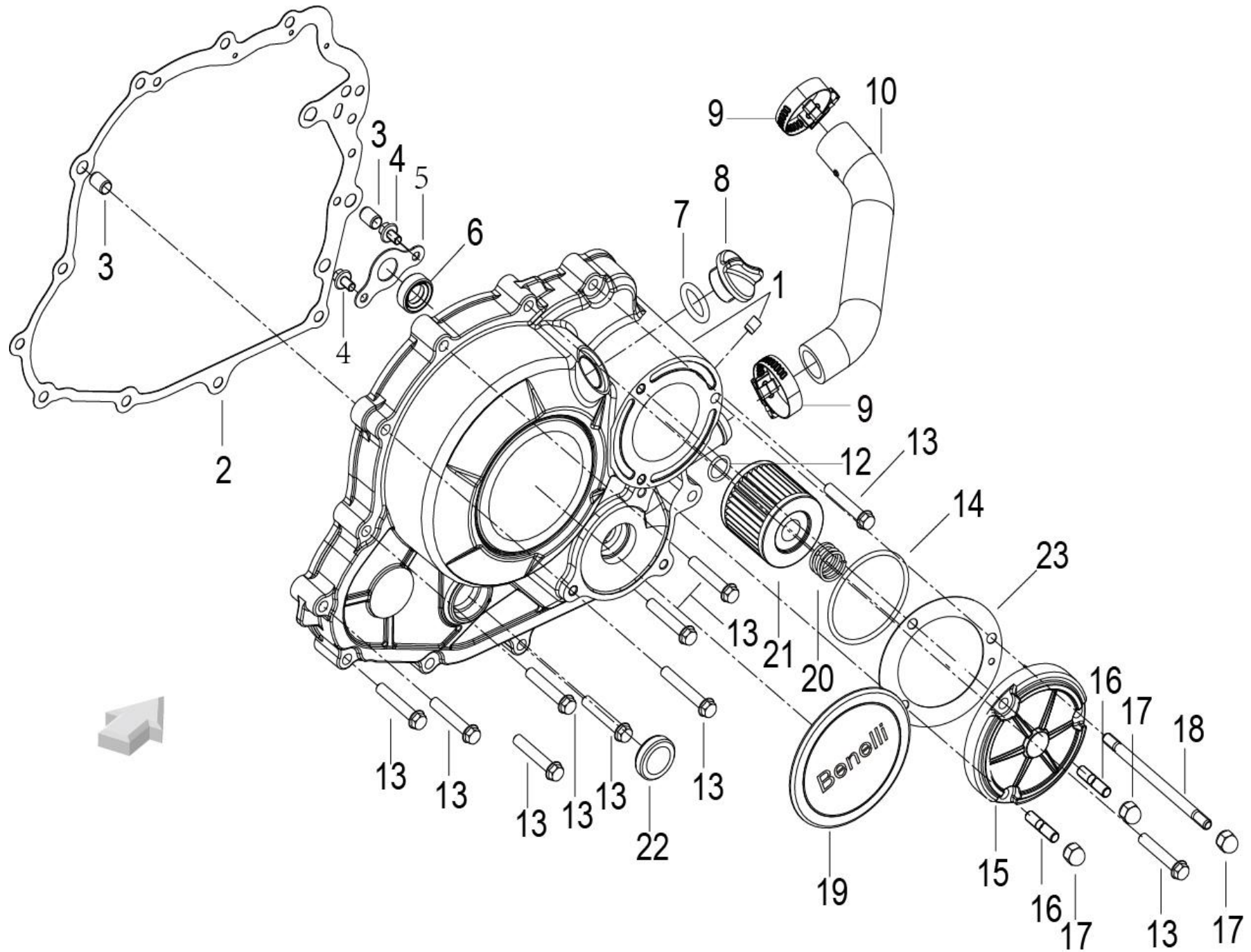
POSITION NO.	CODE	EN DESCRIPTION	QTY/UNIT	PRICE	REMARKS
E06-01	15002530Y100	LEFT CRANKCASE ASSY,YELLOW	1		
E06-02	B0107060756H	BOLT M6X75	7		
E06-03	210373090000	OIL SEAL 12X22X9	1		
E06-04	B0107060606H	BOLT M6X60	3		
E06-05	B0107060806H	BOLT M6X80	1		
E06-06	B0205050166H	SCREW M5X16	2		
E06-07	159124410000	GEARSHIFT SENSOR	1		
E06-08	B190102030B0	O-RING 20.3X2.65	1		
E06-11	210073090000	OIL SEAL 27X40X6	1		
E06-12	210093090000	OIL SEAL COVER	1		
E06-13	B0103060106H	BOLT M6X10	2		
E06-14	B0107060156H	SCREW M6X15	2		
E06-15	159134410000	CLUTCH WIRE GUIDE BRACKET	1		
E06-16	B1212K121002	NEEDLE ROLLER BEARING 12X16X10	1		
E06-17	200001050000	OIL SEAL	1		
E06-18	B080000020AA	CIRCLIP 20	1		
E06-19	130023090000	PIN	2		
E06-20	B12016020410	BALL BEARING 6204	1		
E06-21	B12016000204	BEARING 6002-Z	1		
E06-22	B12016020314	BALL BEARING 6203	1		
E06-23	B0201060126H	SCREW M6X12	2		
E06-24	150113090000	BLOCK PLATE	1		

E07 RIGHT CRANKCASE ASSY



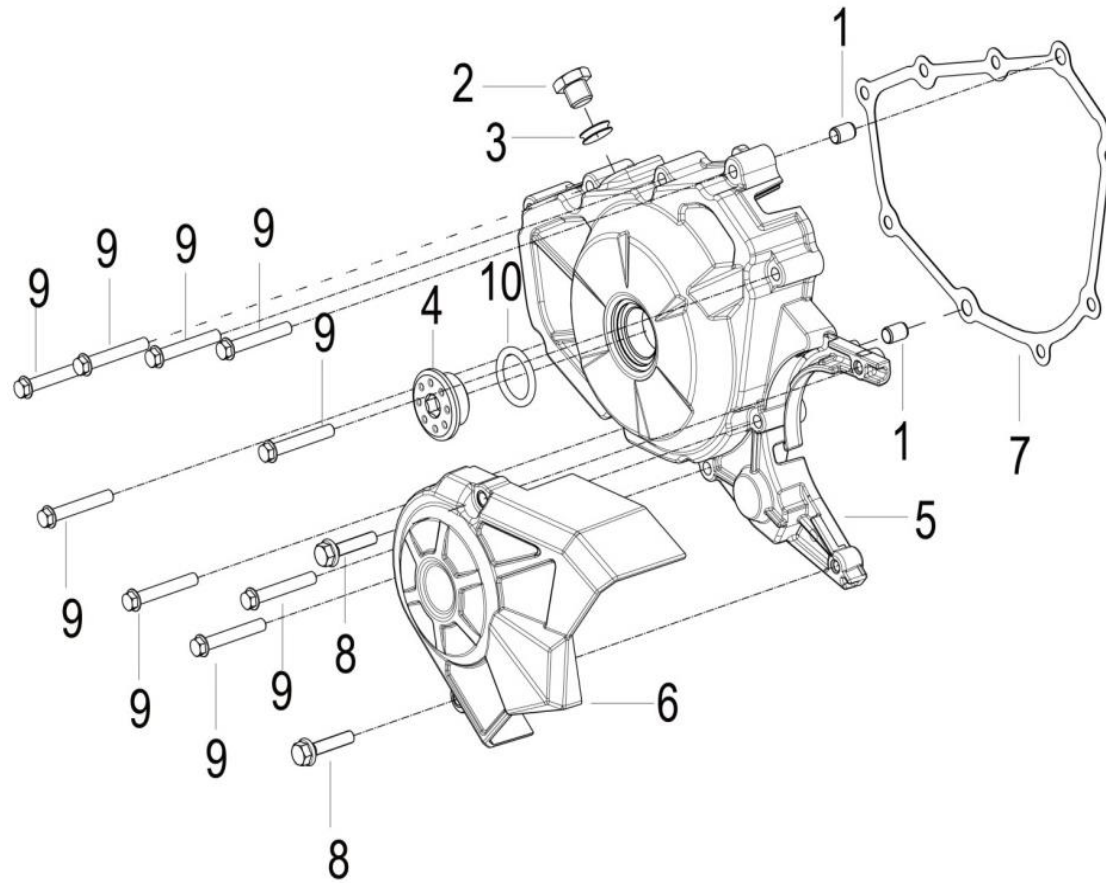
POSITION NO.	CODE	EN DESCRIPTION	QTY/UNIT	PRICE	REMARKS
E07-01	15003530Y100	RIGHT CRANKCASE ASSY,YELLOW	1		
E07-02	B12016190503	BEARING 61905	1		
E07-03	B12016030501	BALL BEARING	1		
E07-04	150083070000	DOWEL PIN	2		
E07-05	150113090000	BLOCK PLATE	1		
E07-06	B0201060126H	SCREW M6X12	2		
E07-07	B12016020211	BALL BEARING	1		
E07-08	B12016020314	BALL BEARING 6203	1		
E07-09	B12016020410	BALL BEARING 6204	1		
E07-10	150166090010	CONE PLUG M10x1	2		
E07-11	B0107060706H	BOLT M6X70	1		
E07-12	159336190000	PLUG	1		
E07-13	B0107060656H	BOLT M6X65	1		
E07-16	21010405002X	LIMIT BLOCK NAIL	1		
E07-18	150126030100	RIVET 3X13	1		
E07-19	150045050000	HOSE	1		
E07-20	150105050000	SIEVE ASSY	1		
E07-21	150195050000	SPRING	1		
E07-22	150205040000	O RING II	1		
E07-23	150215040000	DRAIN PLUG	1		

E08 RIGHT COVER ASSY



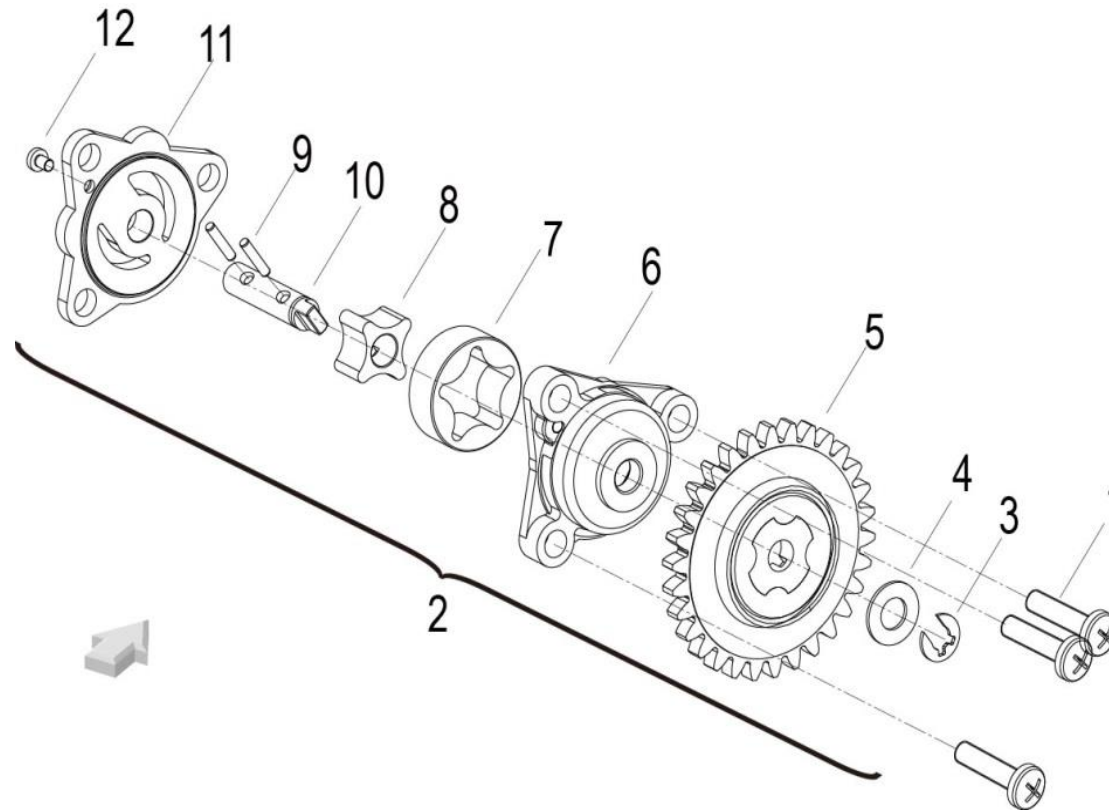
POSITION NO.	CODE	EN DESCRIPTION	QTY/UNIT	PRICE	REMARKS
E08-01	16910446Y100	RIGHT COVER,YELLOW	1		
E08-02	169114410010	RIGHT COVER GASKET	1		
E08-03	160056030000	DOWEL PIN	2		
E08-04	B0107050086H	BOLT M5X8	2		
E08-05	160034410000	SEAL PLATE	1		
E08-06	160023090000	OIL SEAL	1		
E08-07	B190101700C0	O-RING 17X3.55	1		
E08-08	16002446Y100	OIL FILLER PLUG,YELLOW	1		
E08-09	06106P250000	CLAMP 27.1-706R	2		
E08-10	279094460000	OUTLET HOSE	1		
E08-12	B190101250A0	O-RING	1		
E08-13	B0107060356H	BOLT M6X35	10		
E08-14	B190105260B0	O-RING	1		
E08-15	16001441Y100	OIL FILTER COVER,YELLOW	1		
E08-16	B0300060126H	STUB BOLT M6X12	2		
E08-17	B0422060003H	NUT M6	3		
E08-18	160024410010	STUB BOLT	1		
E08-19	160123420030	ENGINE SIDE COVER PLATE,MARK:Benelli	1		
E08-20	160033090000	SPRING	1		
E08-21	160043090000	FILTER	1		
E08-22	160083090000	OIL LEVEL INDICATOR	1		
E08-23	160373210010	GASKET, FILTER	1		

E09 LEFT COVER ASSY



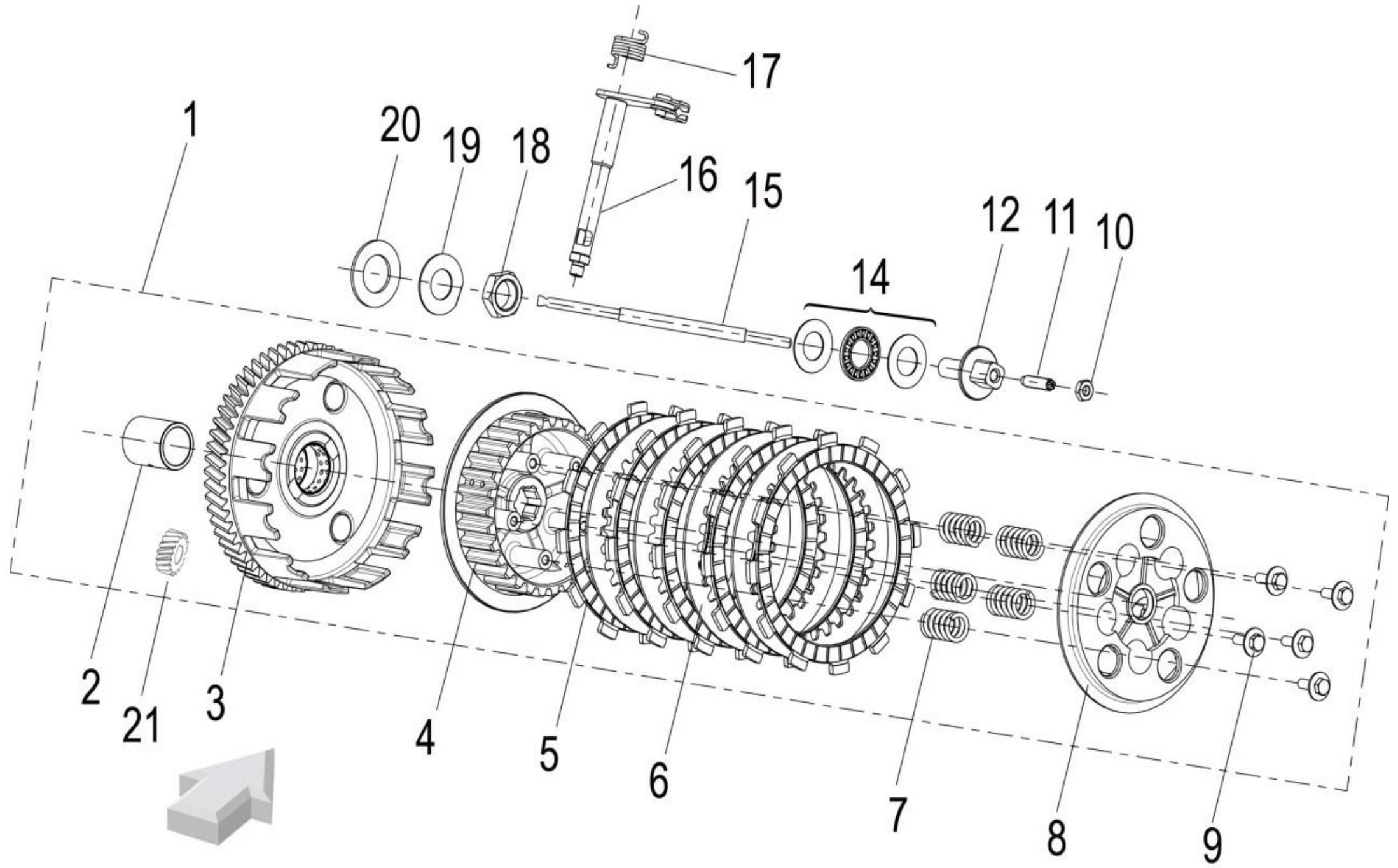
POSITION NO.	CODE	EN DESCRIPTION	QTY/UNIT	PRICE	REMARKS
E09-01	160056030000	DOWEL PIN	2		
E09-02	16020309011X	BOLT PLUG M12x1.25x10	1		
E09-03	160253090000	WASHER	1		
E09-04	16038309Y100	PLUG,COVER MAGNETO,YELLOW	1		
E09-05	16902441Y100	LEFT COVER,YELLOW	1		
E09-06	16906441Y100	LEFT REAR LID ASSEMBLY,YELLOW	1		
E09-07	169074410010	LEFT COVER GASKET	1		
E09-08	B0107060286H	BOLT M6X28	2		
E09-09	B0107060406H	BOLT M6X40	9		
E09-10	B190102240C0	O-RING	1		

E10 OIL PUMP ASSY



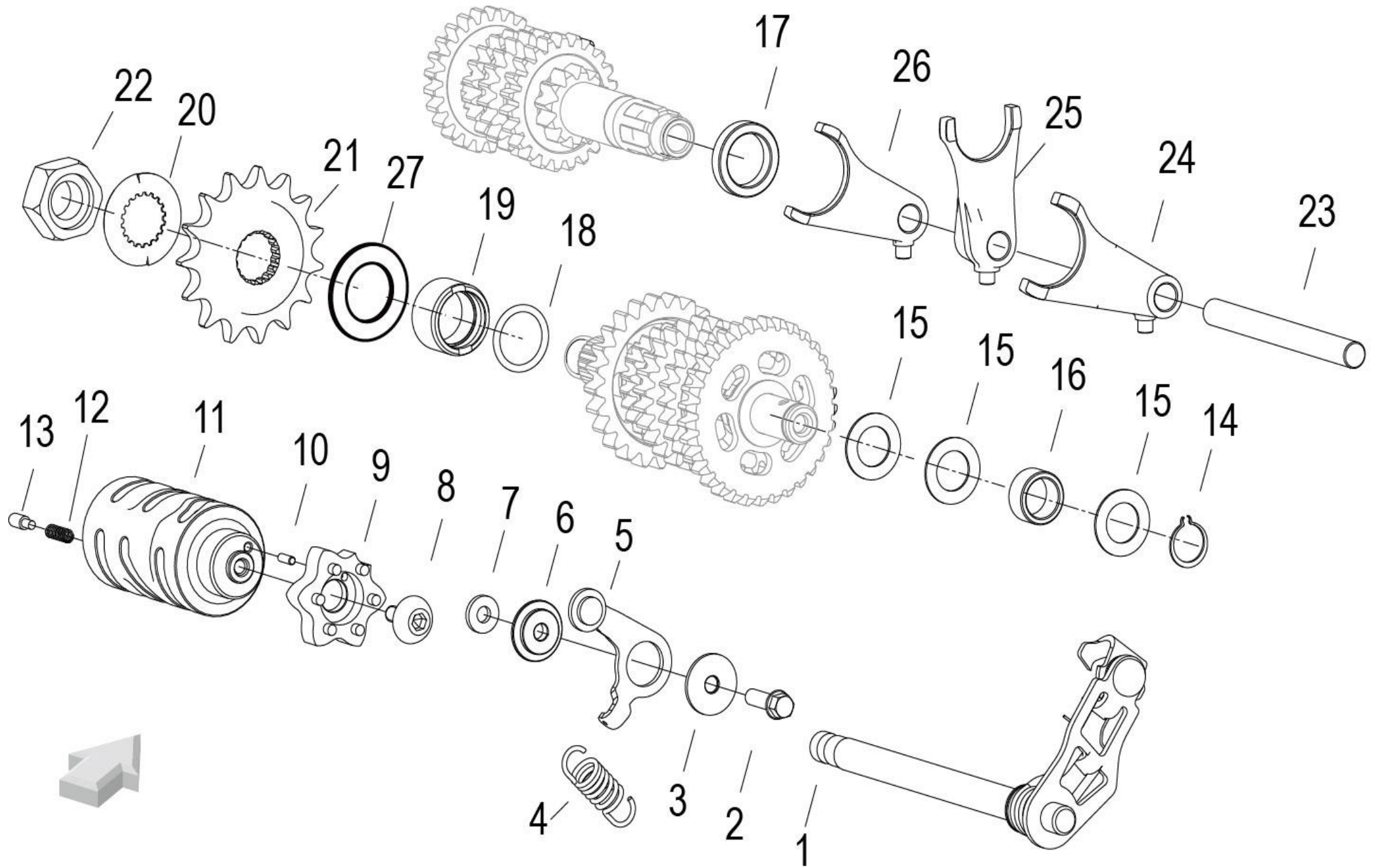
POSITION NO.	CODE	EN DESCRIPTION	QTY/UNIT	PRICE	REMARKS
E10-01	B0107060256H	BOLT M6X25	3		
E10-02	269015300000	OIL PUMP ASSY	1		
E10-03	B08030000601	CIRCLIP 6x6	1		
E10-04	260053300000	WASHER	1		
E10-05	269084460020	OIL PUMP GEAR ASSY	1		
E10-06	269095140000	OIL PUMP BODY	1		
E10-07	260056110000	OIL PUMP EXTERNAL ROTOR	1		
E10-08	260025140000	OIL PUMP INNER ROTOR	1		
E10-09	B09012501220	PIN B2.5x12	2		
E10-10	260015300000	OIL PUMP SHAFT	1		
E10-11	260025300000	OIL PUMP SEAT	1		
E10-12	B02000300522	SCREW M3X5	1		

E11 CLUTCH ASSY



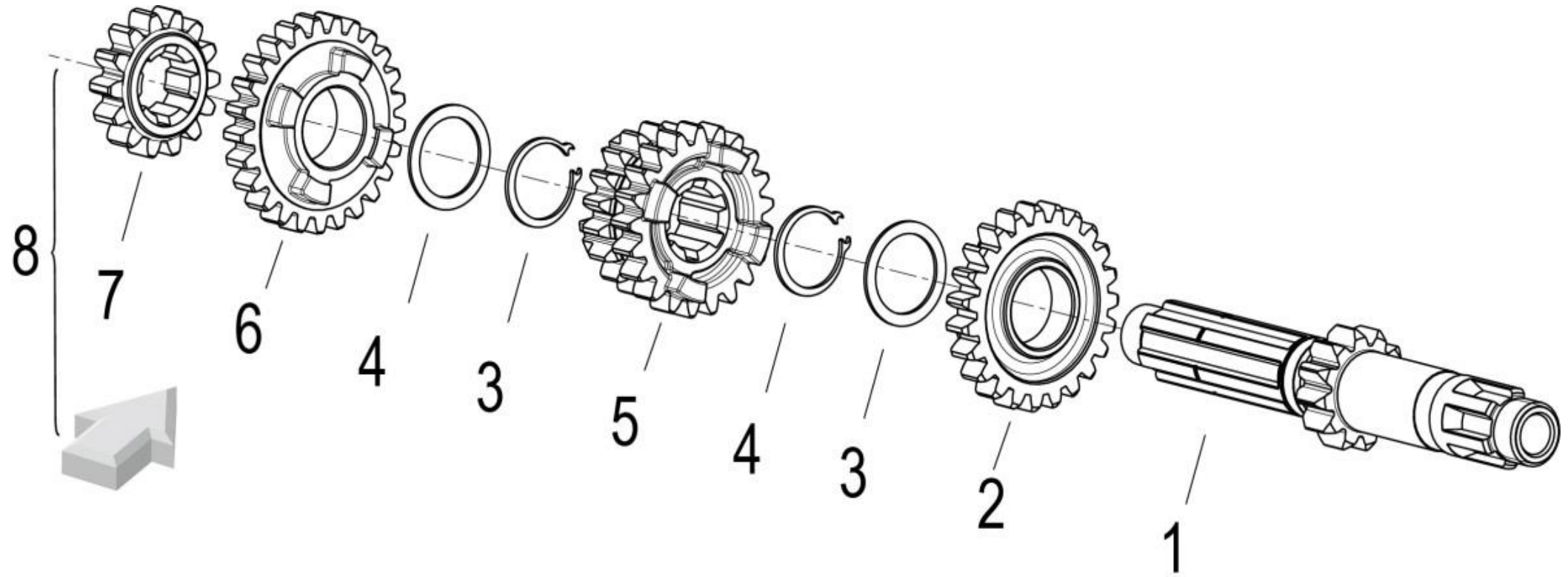
POSITION NO.	CODE	EN DESCRIPTION	QTY/UNIT	PRICE	REMARKS
E11-01	200035300000	CLUTCH ASSY	1		
E11-02	200053090000	SPACER	1		
E11-03	200025300000	CLUTCH HOUSING	1		
E11-04	200073090000	CLUTCH HUB	1		
E11-05	200083090000	FRICTION PLATE	5		
E11-06	200093090000	CLUTCH PLATE	4		
E11-07	209144410000	CLUTCH SPRING	5		
E11-08	200103090000	PRESSURE PLATE	1		
E11-09	B13010501605	SCREW W/WASHER M5x16	5		
E11-10	B0400060005H	NUT M6	1		
E11-11	20013309001X	SLOTTED ADJUSTING SCREW	1		
E11-12	200143090000	BEARING SEAT	1		
E11-14	200123090000	NEEDLE BEARING	1		
E11-15	200013210020	PUSH ROD	1		
E11-16	209044410000	RELEASE LEVER ASSEMBLY	1		
E11-17	200024410000	RETURN SPRING	1		
E11-18	200153090000	NUT	1		
E11-19	200163090000	LOCKING WASHER	1		
E11-20	200043090000	THRUST WASHER	1		
E11-21	170015300000	CLUTCH DRIVE GEAR	1		

E12 GEAR SHIFT MECHANISM ASSEMBLY



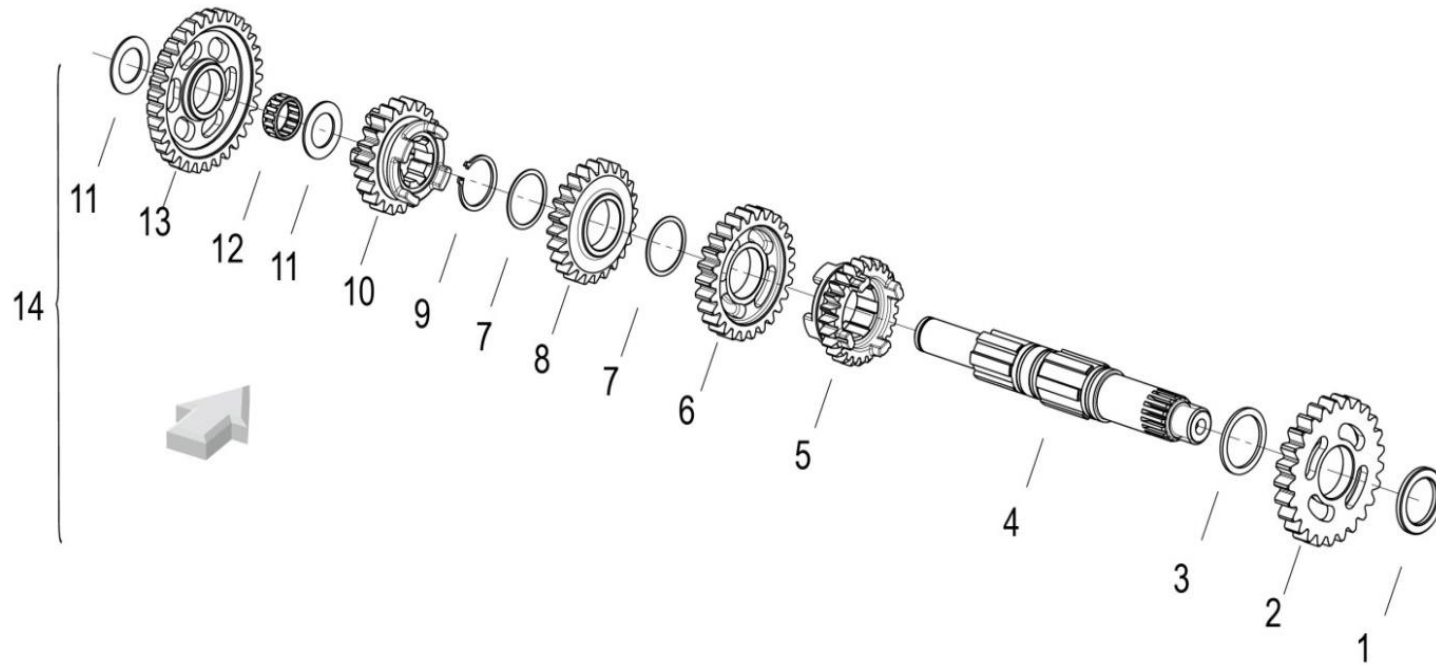
POSITION NO.	CODE	EN DESCRIPTION	QTY/UNIT	PRICE	REMARKS
E12-01	219014410010	SHIFT LEVER ASSEMBLY	1		
E12-02	B0107060206H	FLANGE BOLT M6x20	1		
E12-03	219344410000	WASHER	1		
E12-04	210026030000	STOPPER LEVER SPRING	1		
E12-05	210416030010	STOPPER LEVER	1		
E12-06	219334410000	WASHER	1		
E12-07	120101270000	WASHER 6.2x14x2.2	1		
E12-08	210014410000	BOLT	1		
E12-09	210366030000	PLATE COMP,GEARSHIFT DRUM STOPPER	1		
E12-10	210356030000	DOWEL PIN	1		
E12-11	219054410000	SHIFT DRUM	1		
E12-12	210313090000	PROD SPRING	1		
E12-13	210323090000	SHIFT PROD	1		
E12-14	B080100015A0	CIRCLIPS FOR SHAFT	1		
E12-15	210133090000	THRUST WASHER	3		
E12-16	210034410000	COLLAR	1		
E12-17	210013210000	AXLE SLEEVE,MAIN SHAFT ASSY	1		
E12-18	B190101900B1	O RING	1		
E12-19	210053090000	COLLAR	1		
E12-20	219313090000	WASHER	1		
E12-21	219304410000	SPROCKET,ENGINE 15TEETH	1		
E12-22	210063090100	NUT M16x1.5	1		
E12-23	219093090000	SHIFT FORK SHAFT	1		
E12-24	219124410000	RIGHT SHIFT FORK	1		
E12-25	219114410000	MIDDLE SHIFT FORK	1		
E12-26	219104410000	LEFT SHIFT FORK	1		
E12-27	219295300000	WASHER 20.2x33x1.5	1		

E13 PRIMARY SHAFT ASSY



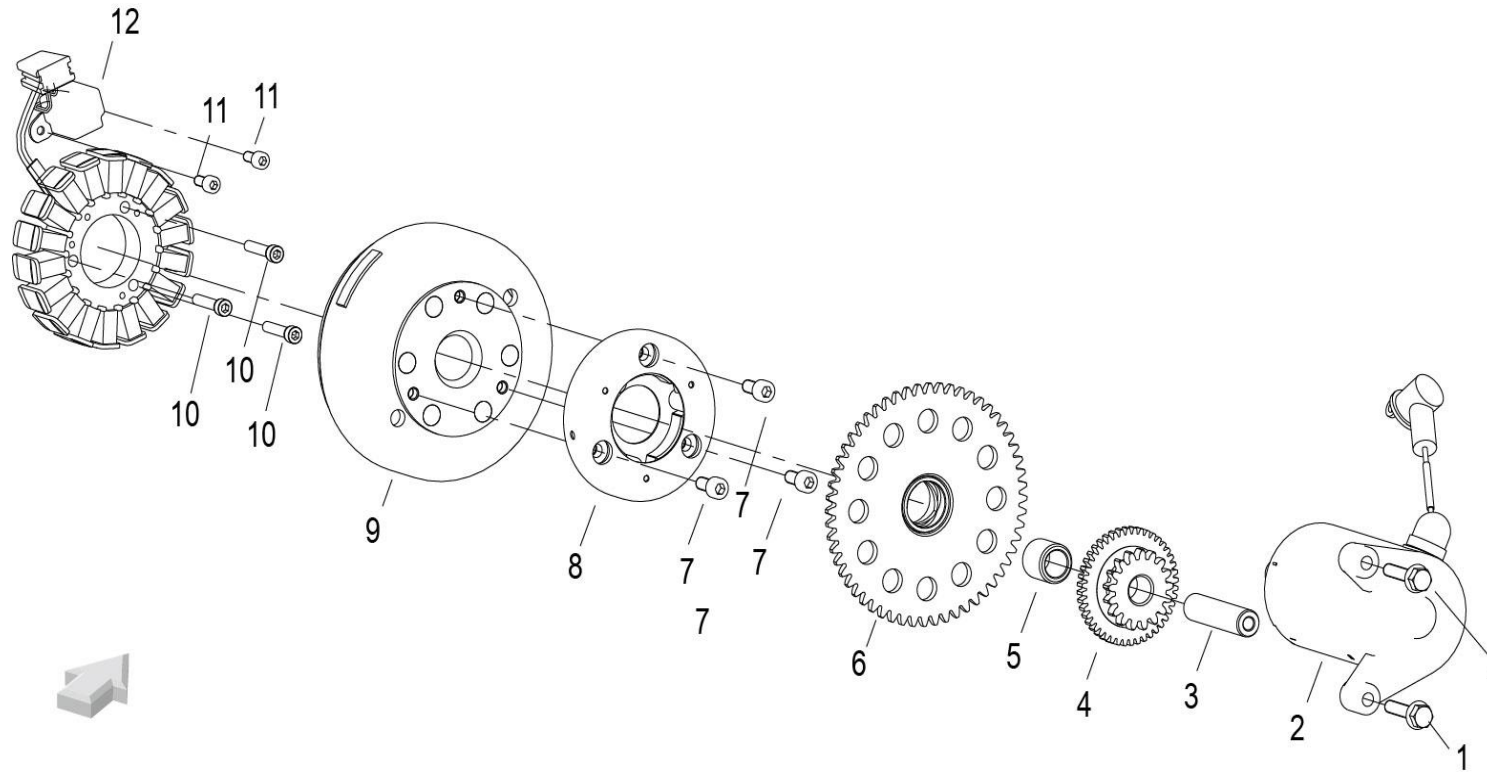
POSITION NO.	CODE	EN DESCRIPTION	QTY/UNIT	PRICE	REMARKS
E13-01	219145300000	MAIN SHAFT	1		
E13-02	219195300000	PRIMARY SHAFT GEAR 5	1		
E13-03	210243090000	WASHER	2		
E13-04	210023070000	CIRCLIP	2		
E13-05	210025300000	PRIMARY SHAFT GEAR 3&4	1		
E13-06	219205300000	PRIMARY SHAFT GEAR 6	1		
E13-07	219165300000	PRIMARY SHAFT GEAR 2	1		
E13-08	219135300000	PRIMARY SHAFT ASSY	1		

E14 COUNTERSHAFT ASSY



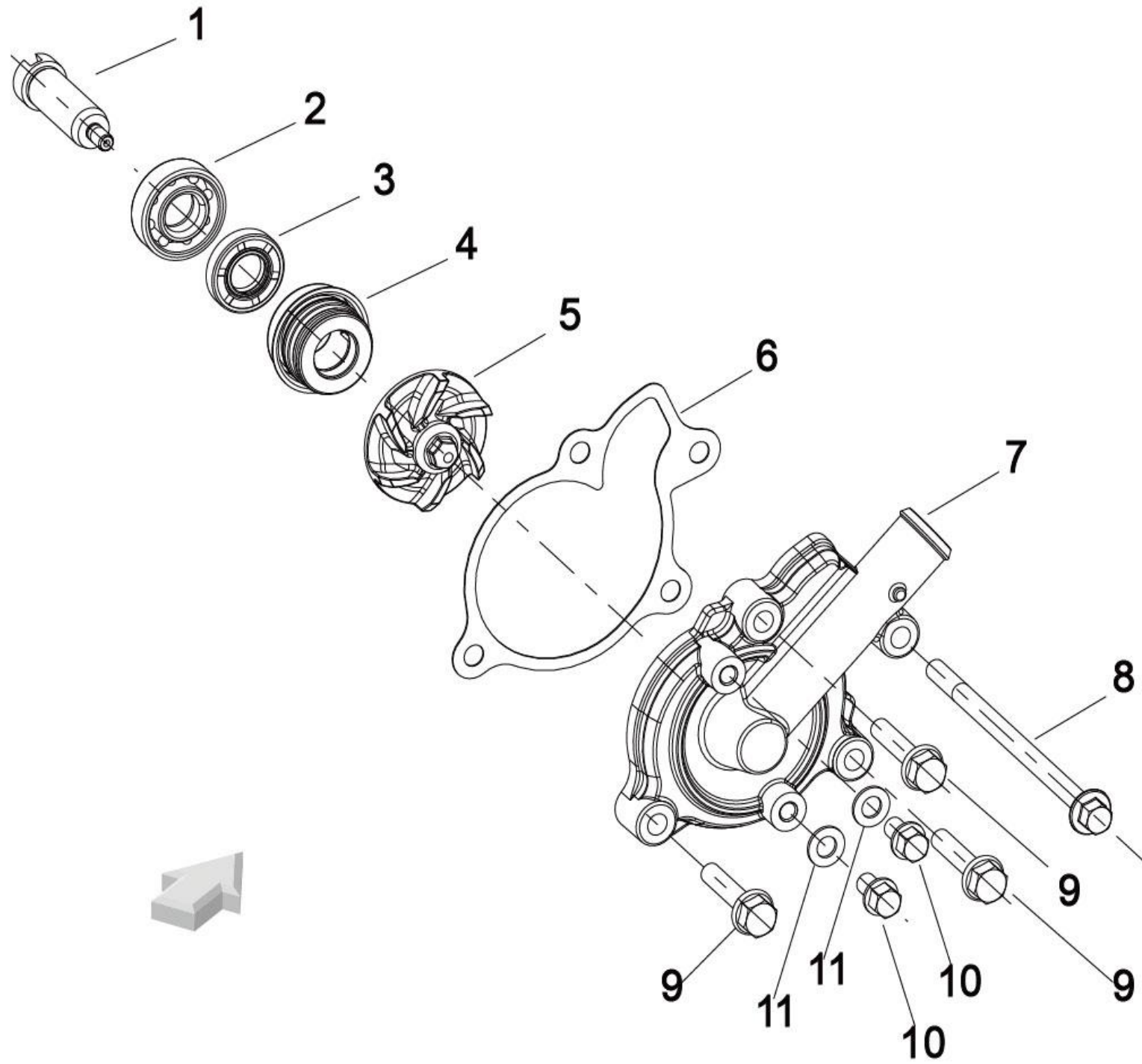
POSITION NO.	CODE	EN DESCRIPTION	QTY/UNIT	PRICE	REMARKS
E14-01	210013390000	WASHER 20	1		
E14-02	219245300000	COUNTERSHAFT GEAR 2	1		
E14-03	210033390000	WASHER 30	1		
E14-04	219224410000	COUNTERSHAFT	1		
E14-05	219285300000	COUNTERSHAFT GEAR 6	1		
E14-06	219255300000	COUNTERSHAFT GEAR 3	1		
E14-07	210043390000	WASHER 22	2		
E14-08	219265300000	COUNTERSHAFT GEAR 4	1		
E14-09	210053390000	CIRCLIP 22	1		
E14-10	219275300000	COUNTERSHAFT GEAR 5	1		
E14-11	210133090000	THRUSH WASHER 15	2		
E14-12	210463090000	NEEDLE BEARING	1		
E14-13	219235300000	COUNTERSHAFT GEAR 1	1		
E14-14	219215300000	COUNTERSHAFT ASSY	1		

E15 ELECTRIC STARTER ASSY



POSITION NO.	CODE	EN DESCRIPTION	QTY/UNIT	PRICE	REMARKS
E15-01	B0107060286H	BOLT M6x28	2		
E15-02	249013210140	STARTER MOTOR ASSY,GREY	1		
E15-03	240023090000	DOWEL PIN	1		
E15-04	249043090000	GEAR,STARTER IDLER	1		
E15-05	240013090000	SLEEVE	1		
E15-06	240043090020	GEAR,STARTER DRIVEN	1		
E15-07	240025140000	SCREW	3		
E15-08	249093230050	GEAR,STARTER	1		
E15-09	299024180060	FLY WHEEL ASSY	1		
E15-10	B0205050256H	SCREW M5x25	3		
E15-11	B0205040106H	SCREW M4x10	2		
E15-12	299033090010	COIL ASSY	1		

E16 WATER PUMP ASSY



POSITION NO.	CODE	EN DESCRIPTION	QTY/UNIT	PRICE	REMARKS
E16-01	279224460020	IMPELLER SHAFT	1		
E16-02	B12016000100	BEARING 6001	1		
E16-03	270153160000	OIL SEAL 12x24x5	1		
E16-04	270216030000	EKK SEAL COMPONENTS	1		
E16-05	279214460000	IMPELLER	1		
E16-06	279344460000	GASKET	1		
E16-07	27933446Y100	WATER PUMP COVER, YELLOW	1		
E16-08	B0107061056H	BOLT M6x105	1		
E16-09	B0107060286H	BOLT M6x28	3		
E16-10	B0107060106H	BOLT M6x105	2		
E16-11	150013070000	WASHER 6	2		